

Specification

| | |
|-------------------------|-----------------|
| Nominal Basket Diameter | 10", 254mm |
| Nominal Impedance | 8-Ohms |
| Power Rating | 160 Watts |
| Resonance | 46.1 Hz |
| Usable Frequency Range | 47 Hz - 4.8 kHz |
| Sensitivity | 94 |
| Magnet Weight | 38.29 oz. |
| Voice Coil Diameter | 2.5", 63.5mm |

Thiele & Small Parameters

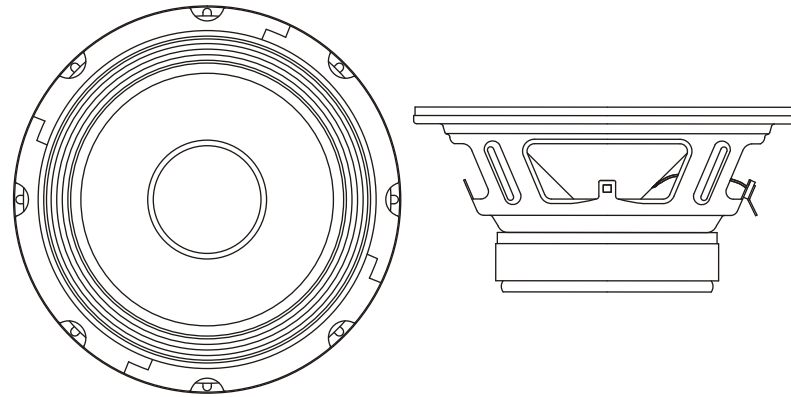
| | |
|---|---------------------------|
| Resonant Frequency (fs) | 46.1 Hz |
| DC resistance (Re) | 6.8 Ohms |
| Coil Inductance (Le) | 0.857 mH |
| Mechanical Q (Qms) | 6.04 |
| Electromagnetic Q (Qes) | 0.43 |
| Total Q (Qts) | 0.40 |
| Compliance Equivalent Volume (Vas) | 60.1 liters / 2.1 cu. ft. |
| Mechanical Compliance of Suspension (Cms) | 0.18mm/N |
| BL Product (BL) | 13.6 T-M |
| Diaphragm Mass (Mmd) | 35.9 grams |
| Maximum Linear Excursion (Xmax) | 4.0mm |
| Surface Area of Cone (Sd) | 0.0380 sqM |

Mounting Information

| | |
|------------------------------|-------------------------------|
| Recommended Enclosure Volume | |
| Sealed | |
| Vented | 1.0-2.1 ft3 |
| Overall Diameter | 10.157", 258.5mm |
| Cut Out Diameter | 9.25", 235mm |
| Front Sealing Gasket | fitted as standard |
| Rear Sealing Gasket | fitted as standard |
| Mounting Holes Diameter | 0.28" x 0.20" , 7.2mm x 5.2mm |
| Mounting Depth | 4.15", 105.5mm |

Materials of Construction

Aluminum voice coil
 Polyimide former
 Ferrite magnet
 Vented and extended core
 Stamped steel basket
 Paper cone
 Cloth surround
 Solid composition paper dust cap



Earthquake EQ10C8 Pro Audio Series

