

## Specification

Nominal Basket Diameter	6.5", 165.1mm
Nominal Impedance	8-Ohms
Power Rating	60 Watts
Resonance	117.6906Hz
Usable Frequency Range	116Hz - 5.5kHz
Sensitivity	93
Magnet Weight	18.46 oz.
Voice Coil Diameter	1"

## Thiele & Small Parameters

Resonant Frequency (fs)	116.9 Hz
DC resistance (Re)	6.8 Ohms
Coil Inductance (Le)	0.5468 mH @ 1kHz
Mechanical Q (Qms)	3.4715
Electromagnetic Q (Qes)	0.8038
Total Q (Qts)	0.6527
Compliance Equivalent Volume (Vas)	5.7 liters/0.2 ft3
Mechanical Compliance of Suspension (Cms)	216.12mm/N
BL Product (BL)	7.2778 T-M
Diaphragm Mass (Mmd)	7.4898 grams
Maximum Linear Excursion (Xmax)	3.5mm
Surface Area of Cone (Sd)	0.0143 sqM

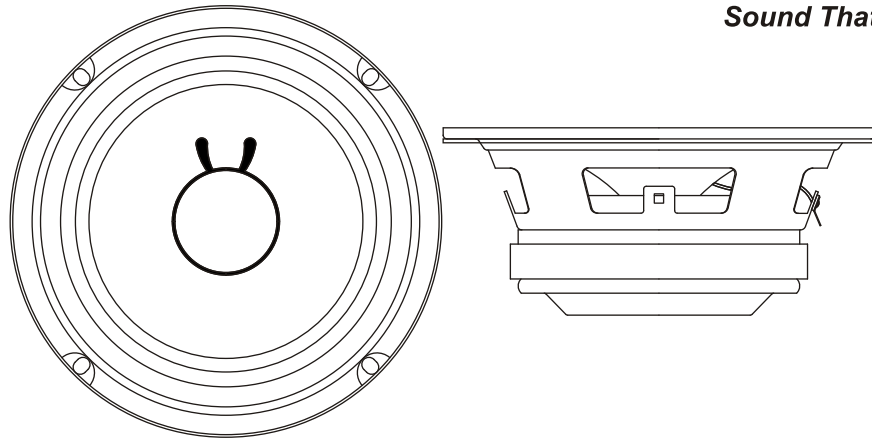
## Mounting Information

Recommended Enclosure Volume	
Sealed	2.8-5.7 liters/0.1-0.2 ft3
Vented	3.4-15.6 liters/0.12-0.55 ft3
Overall Diameter	6.57", 167mm
Cut Out Diameter	5.59", 142mm
Front Sealing Gasket	fitted as standard
Rear Sealing Gasket	fitted as standard
Mounting Holes Diameter	0.27" x 0.21" , 7.0mm x 5.5mm
Depth	2.6", 67.7mm

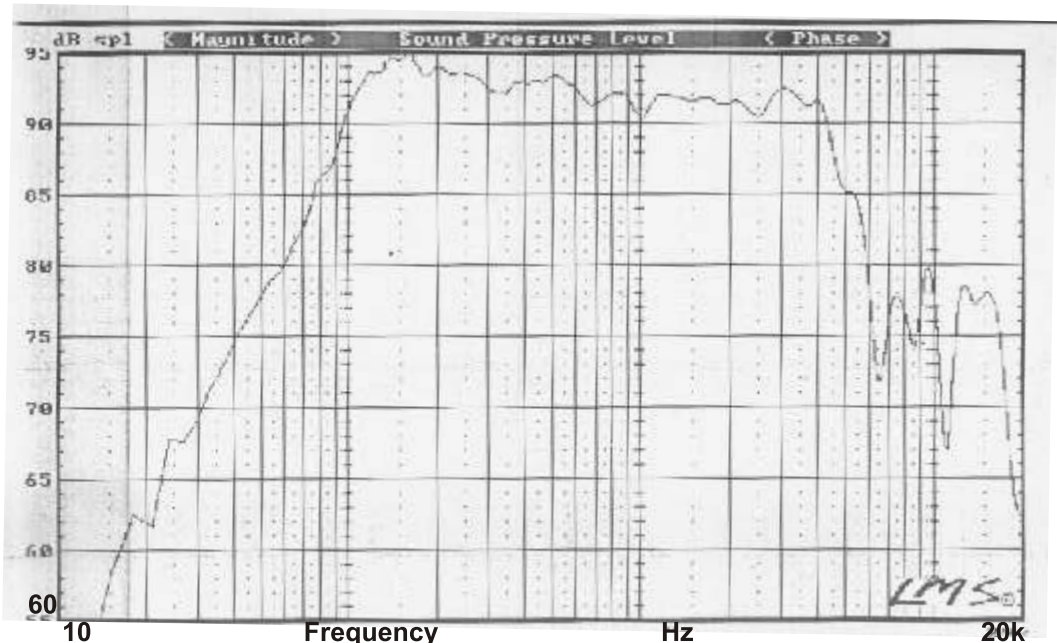
## Materials of Construction

Copper voice coil  
Polyimide former  
Ferrite magnet  
Vented and extended core  
Stamped steel basket  
Paper cone  
Cloth surround  
Solid composition paper dust cap

**EARTHQUAKE**  
**SOUND**  
Sound That Will Move You.



## Earthquake EQ6C8 Pro Audio Series



Earthquake Sound Corporation  
2727 McCone Avenue • Hayward, CA 94545 • phone: 800-576-7944  
fax: 510-732-1095 • www.earthquakesound.com