

### Specification

Nominal Basket Diameter	6.5", 165.1mm
Nominal Impedance	8-Ohms
Power Rating	85 Watts
Resonance	453.41Hz
Usable Frequency Range	445Hz - 5.5kHz
Sensitivity	94
Magnet Weight	38.29 oz.
Voice Coil Diameter	1"

### Thiele & Small Parameters

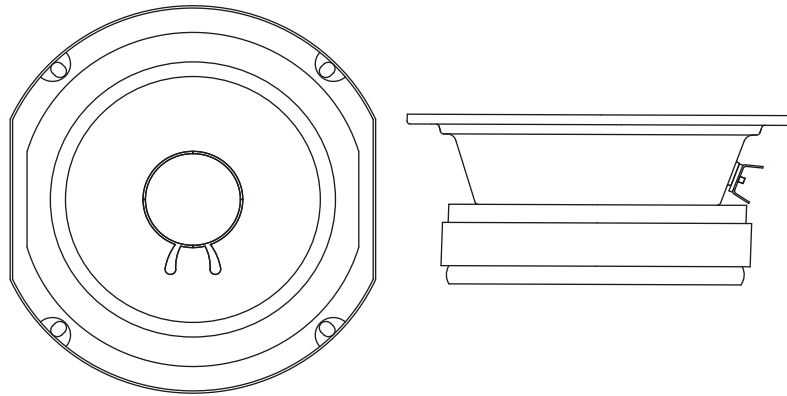
Resonant Frequency (fs)	453.41Hz
DC resistance (Re)	6.8 Ohms
Coil Inductance (Le)	0.6003 mH @ 1kHz
Mechanical Q (Qms)	3.1829
Electromagnetic Q (Qes)	1.0614
Total Q (Qts)	0.7960
Compliance Equivalent Volume (Vas)	0.3427 liters/0.1 ft3
Mechanical Compliance of Suspension (Cms)	13.64mm/N
BL Product (BL)	12.3572 T-M
Diaphragm Mass (Mmd)	8.1484 grams
Maximum Linear Excursion (Xmax)	3.5mm
Surface Area of Cone (Sd)	0.0133 sqM

### Mounting Information

Recommended Enclosure Volume	
Sealed	2.8-5.7 liters/0.1-0.2 ft3
Vented	3.4-15.6 liters/0.12-0.55 ft3
Overall Diameter	6.57", 167mm
Cut Out Diameter	5.59", 142mm
Front Sealing Gasket	fitted as standard
Rear Sealing Gasket	fitted as standard
Mounting Holes Diameter	0.27" x 0.21" , 7.0mm x 5.5mm
Depth	2.76", 70.2mm

### Materials of Construction

Copper voice coil  
 Polyimide former  
 Ferrite magnet  
 Vented and extended core  
 Sealed and stamped steel basket  
 Paper cone  
 Cloth surround  
 Solid composition paper dust cap



## Earthquake EQ6CS Pro Audio Series

