

Specification

Nominal Basket Diameter	8", 203.2mm
Nominal Impedance	8-Ohms
Power Rating	110 Watts
Resonance	453.41Hz
Usable Frequency Range	80Hz - 8.5kHz
Sensitivity	91
Magnet Weight	29.4 oz.
Voice Coil Diameter	1"

Thiele & Small Parameters

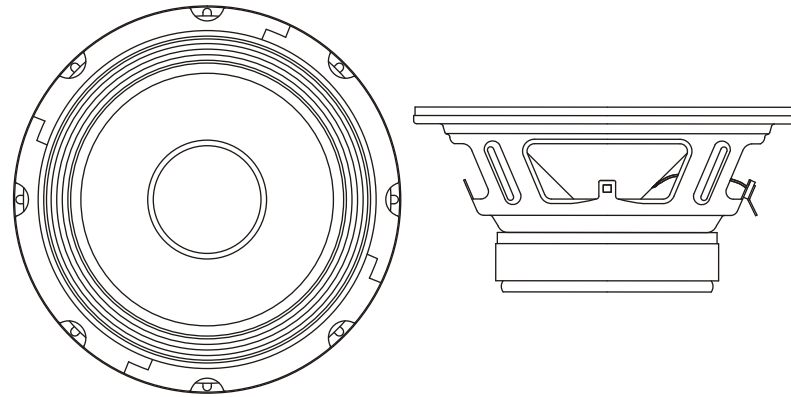
Resonant Frequency (fs)	80.3Hz
DC resistance (Re)	6.8 Ohms
Coil Inductance (Le)	0.44 mH
Mechanical Q (Qms)	12.76
Electromagnetic Q (Qes)	0.83
Total Q (Qts)	0.78
Compliance Equivalent Volume (Vas)	12.7 liters/0.44 ft3
Mechanical Compliance of Suspension (Cms)	1.88mm/N
BL Product (BL)	9.30 T-M
Diaphragm Mass (Mmd)	19.0 grams
Maximum Linear Excursion (Xmax)	4.0mm
Surface Area of Cone (Sd)	0.0220 sqM

Mounting Information

Recommended Enclosure Volume	
Sealed	5.7-9.9 liters/0.2-0.35 ft3
Vented	8.5-19 liters/0.3-0.67 ft3
Overall Diameter	8.20", 208.5mm
Cut Out Diameter	7.08", 180mm
Front Sealing Gasket	fitted as standard
Rear Sealing Gasket	fitted as standard
Mounting Holes Diameter	0.31" x 0.21" , 8.0mm x 5.5mm
Mounting Depth	3.60", 91.5mm

Materials of Construction

Copper voice coil
 Polyimide former
 Ferrite magnet
 Vented and extended core
 Stamped steel basket
 Paper cone
 Cloth surround
 Solid composition paper dust cap



Earthquake EQ8C8 Pro Audio Series

