



Sound That Will Move You

*Image*  
*CM-Series*  
*Speakers*



5", 6" and 8"  
Round In-Ceiling  
Speakers

**User's Manual**

Congratulations on your choice of Imāge CM-Series In-Ceiling Speaker systems, one of Earthquake's most valued in-ceiling speaker lines. With the proper installation and operation CM speakers will provide a life a time of durability and high-end performance.

It is important that you follow all installation and mounting instructions and recommendations in this manual closely and carefully to insure optimal performance operation and longevity.

**Advanced Features:**

- Elaborate crossover networks
- High quality capacitors
- No distortion steel core inductors
- Neodymium tweeter magnet
- Adjustable tweeter
- Polypropylene woofer cones with wide rubber surrounds
- Paintable grilles and frame

**Painting Guidelines:**

Imāge CM speakers are paintable and can accept virtually any type of paint. Spray and roller paint applications typically provide the best results. When you are ready to begin painting remember to shield the driver and tweeter from the paint and also make sure to remove the inner grille cloth before painting. And replace it once the paint has completely dried.

**Speaker Placement:**

Imāge CM speakers are designed to be flush mounted in the walls or ceilings. To optimize their acoustics you should follow these simple guidelines:

For best stereo reproduction the speakers should be placed an equal distance from your listening position and separated so that the angle between them is between 40 and sixty degrees. The units should be placed with the tweeters near the ear level of the seated listener.

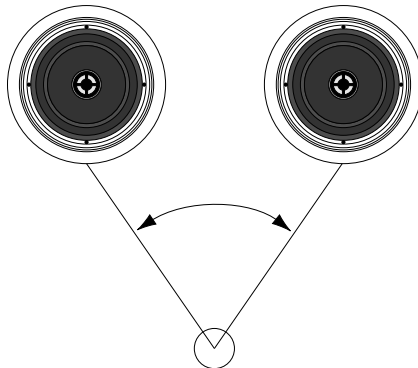
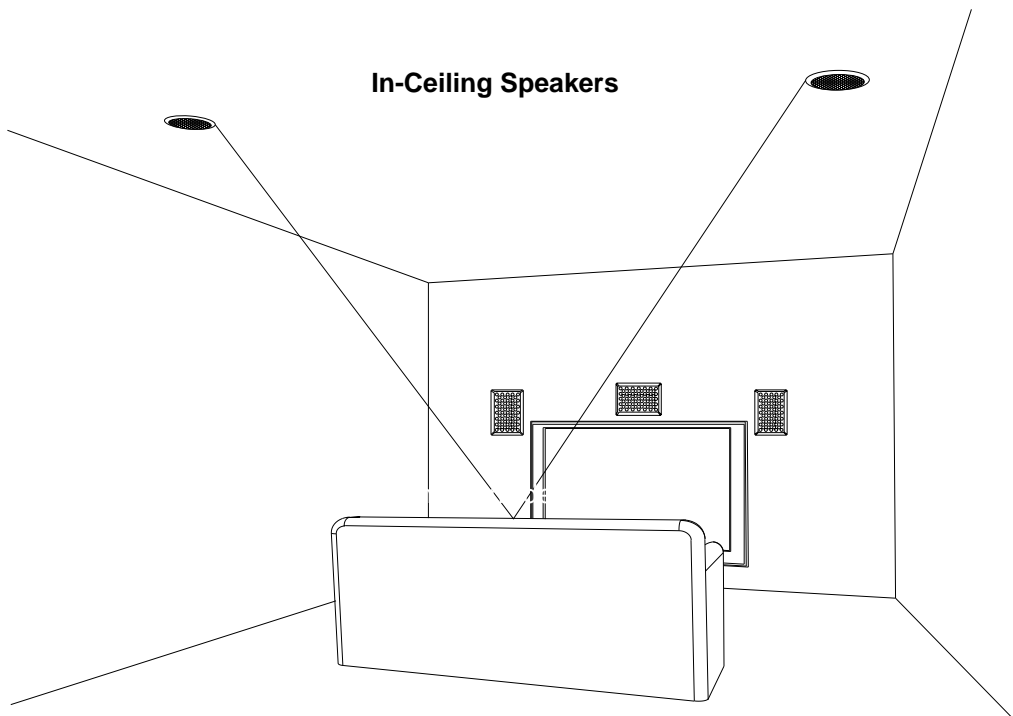


Figure 1

## In-Ceiling Speakers



**WARNING:** These products are capable of generating high sound pressure levels. You should exercise caution when operating these speakers. Long term exposures to high levels of sound pressure will cause permanent damage to your hearing. Sound pressure levels exceeding 85dB can be dangerous with constant exposure, set your audio system to a comfortable loudness level. Earthquake Sound Corporation does not assume liability for damages resulting from the direct use of Earthquake speakers, and urges users to play volume at moderate levels.



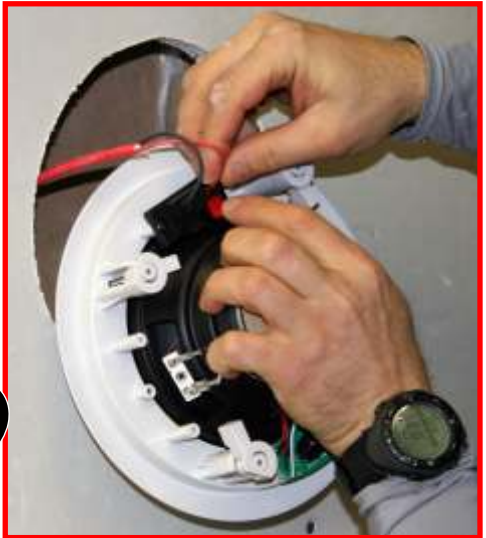
Cut the hole:  
using the  
provided cut out  
template

1



Wire the speaker:  
using the non-  
obtrusive spring-  
loaded speaker  
terminals

2



Mount the speaker:  
by utilizing the  
Turn-N-Lock™  
installation  
mechanisms

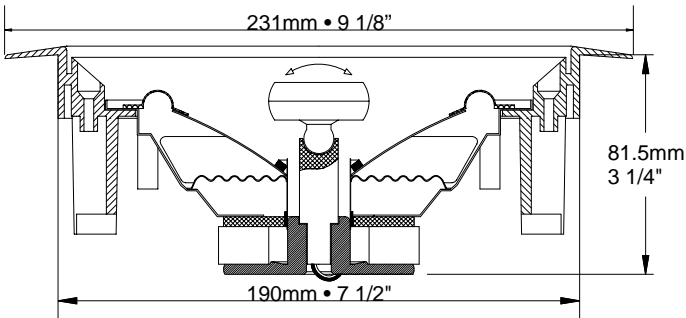
3



# Specifications

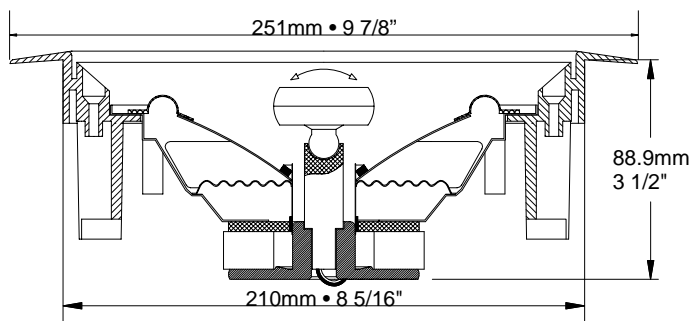
## CM-500 SPECIFICATIONS

Frequency Response:	70Hz - 21kHz
Sensitivity:	90dB @ 1W/1M
Nominal Impedance:	8-Ohm
Power Handling:	90 Watts
Enclosure Material / Type:	Infinite baffle, flush with wall
Drive Components:	Two-way system using: One 3/4" silk dome compression tweeter and one 5 1/4" expanded surround poly-mica cone woofer
Wire Gauge Recommended:	12
Weight:	2.16 lbs.
Grille Frame Diameter:	9 1/8" • 231mm
Cut Out Hole Diameter:	7 1/2" • 190mm
Mounting Depth:	3 1/4" • 81.5mm
Finish:	White / Paintable



## CM-600 SPECIFICATIONS

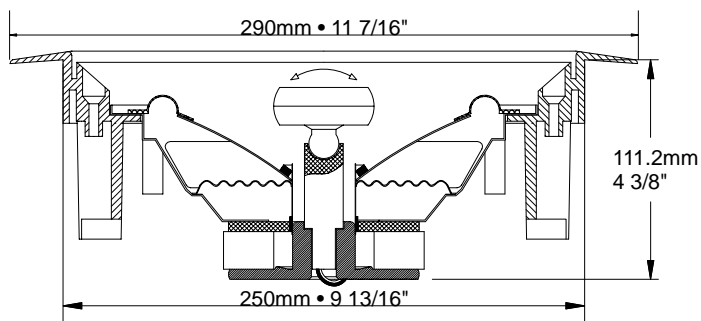
Frequency Response:	60Hz - 21kHz
Sensitivity:	89dB @ 1W/1M
Nominal Impedance:	8-Ohm
Power Handling:	100 Watts
Enclosure Material / Type:	Infinite baffle, flush with wall
Drive Components:	Two-way system using: One 3/4" silk dome compression tweeter and one 6 1/2" expanded surround poly-mica cone woofer
Wire Gauge Recommended:	12
Weight:	2.78 lbs.
Grille Frame Diameter:	9 7/8" • 251mm
Cut Out Hole Diameter:	8 5/16" • 210mm
Mounting Depth:	3 1/2" • 88.9mm
Finish:	White / Paintable



# Specifications

## CM-800 SPECIFICATIONS

Frequency Response:	45Hz - 21kHz
Sensitivity:	89dB @ 1W/1M
Nominal Impedance:	8-Ohm
Power Handling:	125 Watts
Enclosure Material / Type:	Infinite baffle, flush with wall
Drive Components:	Two-way system using: One 3/4" silk dome compression tweeter and one 8" expanded surround poly-mica cone woofer
Wire Gauge Recommended:	12
Weight:	3.40 lbs.
Grille Frame Diameter:	11 7/16" • 290mm
Cut Out Hole Diameter:	9 13/16" • 250mm
Mounting Depth:	4 3/8" • 111.2mm
Finish:	White / Paintable





Sound That Will Move You

Earthquake Sound reserves the right to amend details of the specifications without notice.

Copyright © Earthquake Sound Corporation

Earthquake Sound Corporation • 2727 McCone Avenue Hayward CA, 94545

Phone: 510-732-1000 Fax: 510-732-1095