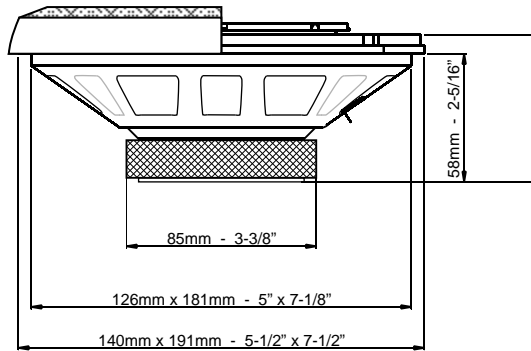


TNT - T57 Specifications

FEATURES

- Low mass poly injection cone body that delivers precision sound quality
- High flow ventilation stamped steel basket design
- Large butyl rubber surround for more accurate bass
- NOMEX / ROMEX spider assembly for linear cone travel and durability
- Shallow mount design for American or foreign cars and trucks
- over 1" (30mm) mylar super tweeter both of which deliver an exceptionally high frequency for all ranges of music.



SPECIFICATIONS

Model	T57
Diameter (inches)	5" x 7"
Diameter (mm)	140mm x 191mm
Description	2-Way
Impedance	4-Ohm
Frequency Response	50Hz - 20kHz
Sensitivity	87dB
Power Handling	400 Watts

INSTALLATION

Grilles	Yes
Mounting Diameter (inches)	4-9/16" x 8"
Mounting Diameter (mm)	116mm x 204mm
Mounting Depth (inches)	2-5/16"
Mounting Depth (mm)	58mm

SPECIFICATIONS ARE SUBJECT TO CHANGE WITHOUT NOTICE

TNT Coaxial - One (1) Year Warranty Guidelines

Earthquake warrants the original purchaser that the speaker (product) is free from defects in material and workmanship, under normal and proper use, for a period of **one (1) year from the date of purchase** (as shown on the original sales receipt with serial number affixed/written on it). The one (1) year warranty period is **valid only if the product is properly installed by an Earthquake authorized party**, and the warranty registration card is properly filled out and sent to Earthquake Sound Corporation.

If the product is installed by a non-authorized party, only a thirty (30) day limited warranty period applies.

(A) One (1) year limited warranty guidelines:

First year: Earthquake pays for labor, parts, and ground freight (**only in US mainland**) back to customer.

(B) Warning:

- Products (sent in for repair) that are tested by Earthquake technicians and deemed to have no problem, will not be covered by the limited warranty. Customer will be charged a minimum of one (1) hour of labor (ongoing rates) plus shipping charges back to customer.
- Each product sent for repair must be packaged in its original packaging. Otherwise, **there will be repackaging charge in addition to labor, parts and shipping charges**.

(C) Earthquake agrees to repair or replace - at our option - all such defective products/parts subject to the following provisions:

- Defective products/parts have not been altered or repaired by other than an Earthquake factory approved technician.
- Products/parts are not subjected to negligence, misuse, improper use, or accident, damaged by improper line voltage, used with incompatible products, or have its serial number or any part of it altered, defaced or removed, or have been used in any way that is contrary to Earthquake's written instructions.

(D) Warranty Limitations:

Earthquake warranty does not cover products that have been modified or abused. Including but not limited to the following:

- Damages to speaker cabinet and cabinet finish due to misuse, abuse, or use of improper use of cleaning materials/methods.
- Bent speaker frame, broken speaker connectors, holes in speaker cone, surround & dust cap, burnt speaker voice coil.
- Fading, deterioration of speaker components & finish due to improper exposure to elements.
- Burnt tracers.
- Product/part damaged due to poor packaging or abusive shipping conditions.
- Subsequent damage to other products.

A warranty claim will not be valid if the warranty registration card is not properly filled & returned to Earthquake with a copy of the sales invoice.

(E) Service Request:

To receive product(s) service, contact Earthquake service department at (510) 732-1000 and request an RMA number (Return Material Authorization), items shipped without a valid RMA number will be refused. Make sure you provide us with your complete/correct shipping address, a valid phone number, and a brief description of the problem you are experiencing with the product. In most cases, our technicians might be able to resolve the problem over the phone, thus eliminating the need to ship the product.

(F) Shipping Instructions:

Product(s) must be packaged in its original protective box(es) to minimize transport damage and avoid repackaging charges. Shipper claims regarding items damaged in transit must be presented to carrier. Earthquake Sound Corporation reserves the right to refuse products that are improperly packaged. Original bill of sale must accompany product returned for service. We encourage you to include with the package a written description of the problem. Ship product to:

Earthquake Sound Corp.
2727 Mc Cone Avenue,
Hayward, CA 94545.
Tel: (510) 732-1000.

You are responsible for the cost of shipping the product to Earthquake Sound Corporation.

(G) Disputes Resolution:

All disputes - between clients and Earthquake Sound Corporation - resulting from the one (1) year limited warranty policy must be resolved according to the laws & regulations of the county of Alameda -California.