

Earthquake warrants the original purchaser that all Factory Sealed New Audio Products be free from defects in material and workmanship, under normal and proper use, for a period of ninety (90) days from the date of purchase (as shown on the original sales receipt with serial number affixed/written on it). The ninety (90) day warranty period is valid only if an authorized Earthquake dealer properly installs the product, and the warranty registration card is properly filled out and sent to Earthquake Sound Corporation. If a non-authorized party installs the product, no warranty will be rewarded.

(A) Ninety (90) day limited warranty guidelines:

Earthquake pays for labor, parts, and ground freight (US mainland only) back to customer.

(B) Warning:

Products (sent for repair) that are tested by Earthquake technicians and deemed to have no problem(s) will not be covered by the day limited warranty. **Customer will be charged a minimum of one (1) hour of labor (ongoing rates) plus shipping charges back to customer.**

(C) Earthquake agrees to repair or replace - at our option - all such defective products/parts subject to the following provisions:

- Defective products/parts have not been altered or repaired by other than an Earthquake factory approved technician.
- Products/parts are not subjected to negligence, misuse, improper use, or accident, damaged by improper line voltage, used with incompatible products, or have its serial number or any part of it altered, defaced or removed, or have been used in any way that is contrary to Earthquake's written instructions.

(D) Warranty Limitations:

Earthquake warranty does not cover products that have been modified or abused, including but not limited to the following:

- Damages to driver enclosure or part finish due to misuse, abuse, or use of improper use of cleaning materials/methods.
- Bent driver frame, broken speaker connectors, holes in surround or burnt speaker voice coil.
- Fading, deterioration of speaker components & finish due to improper exposure to elements.
- Subsequent damage to and from other products.

A warranty claim will not be valid if the warranty registration card is not properly filled & returned to Earthquake with a copy of the sales invoice.

(E) Service Request:

To receive product(s) service, contact Earthquake Sound's service department at (510) 732-1000 and request an RMA number (Return Material Authorization) as item(s) shipped without a valid RMA number will be refused. Make sure you provide us with your complete and correct shipping address, a valid phone number, and a brief description of the problem you are experiencing with the product. In most cases, our technicians might be able to resolve the problem over the phone, thus eliminating the need to ship the product.

(F) Shipping Instructions:

Product(s) must be packaged in its original protective box(es) to minimize transport damage. Shipper claims regarding items damaged in transit must be presented to carrier. Earthquake Sound Corporation reserves the right to refuse product that improperly packed. Original sales receipt must accompany product returned for service. Ship product to: Earthquake Sound Corp. 2727 McCone Avenue, Hayward, CA 94545.

You are responsible for the cost of shipping the product to Earthquake Sound Corporation.

(G) Disputes Resolution:

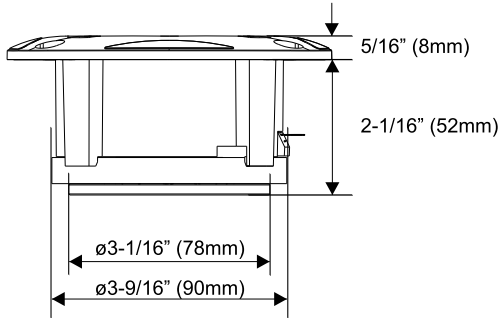
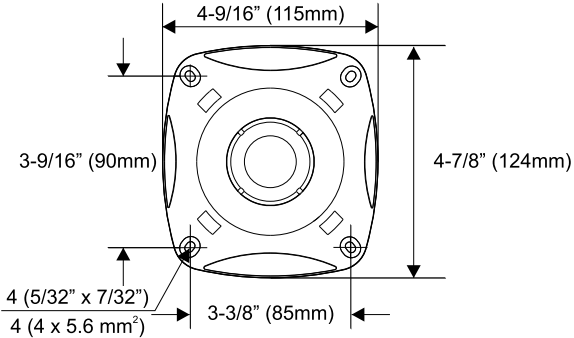
All disputes - between clients and Earthquake Sound Corporation - resulting from the ninety (90) day limited warranty policy must be resolved according to the laws & regulations of the county of Alameda, California.



SBT200 OWNER'S MANUAL



Earthquake Sound Corporation
2727 McCone Avenue. Hayward, CA 94545.USA
US Toll Free: 1-800-576-7944 | Tel: 510-732-1000 | Fax: 510-732-1095
www.earthquakesound.com



SBT200 SPECIFICATIONS

Max Power Handling	200 Watts
Impedance	8 Ohm
Frequency Response	2.5kHz - 22kHz
Sensitivity	105 dB SPL
Voice Coil Diameter	1.8" (46.2mm)

ADDITIONAL INFORMATION

Frame Material	Plastic
Magnet Weight & Material	7.9 oz. of Barium Ferrite
Voice Coil Material	Copper

MOUNTING INFORMATION

Baffle Cutout Dimension	4-1/8" (105 mm)
Mounting Dimension	3-3/8" x 3-9/16" (85 x 90 mm ²)
Screw-Hole Dimension (4)	5/32" x 7/32" (4 x 5.6 mm ²)

TECH SUPPORT

US Toll Free	1-800-576-7944
E-mail	tech@earthquakesound.com