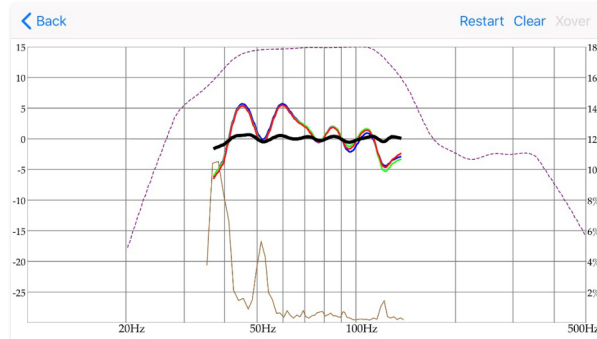


## MINIME DSP 15

### Front Firing & Passive

Expanding on the MiniMe DSP series of subwoofers, the all new DSP 15 home subwoofer utilizes Earthquake's advanced class "D" circuitry with over 90% efficiency with the added advantage of DSP control through mobile devices. Complicated and professional room tuning is made possible right at your finger tips through a mobile app allowing the user to tune the MiniMe DSP 15 exactly to the room that it is placed in. Like the 10 and 12 inch models, the MiniMe DSP 15 offers users the same great performance and features with the added benefits of fully balanced

XLR inputs and outputs, 1000 watts peak power output, and new 15-inch SLAPS V2 passive radiator design to help this MiniMe dig deeper for superior low frequency reproduction down to 18Hz. The DSP 15 is quite possibly the best MiniMe ever produced and is sure to fill your room with massive bass for the utmost in sound quality and intense room-rumbling sound effects. The MiniMe DSP 15 is available in both sealed front firing and passive versions depending on user listening preferences.



## FLATTEN THE CURVE AT HOME WITH MINIME DSP

### DSP CONTROL

Complicated and professional room tuning is made possible right at your finger tips through a mobile app allowing the user to dial in the MiniMe DSP 15 exactly to the room that it is placed in. This provides you with a customized performance that you deserve and achieve the maximum amount of SPL with a more linear response for your home theater.

### SLAPS-15 v2 PASSIVE RADIATOR

A newly designed and patented SLAPS passive radiator allows the MiniMe DSP P-15 to reach dominating LFE. It effortlessly helps the subwoofer in creating more bass at sub-harmonic levels while reducing the load on the amplifier. Simply put, Earthquake's new SLAPS passive radiator coupled with the MiniMe DSP P-15 will give deeper bass from a compact volume without annoying port noise.

### MAGMA-X ACTIVE DRIVER

With a massive moving structure and double spider, the extremely high excursion MAGMA-X active driver enables the MiniMe DSP 15 to achieve deep, dynamic, and hard-hitting bass response that we all love and desire in home theater setups.

### BALANCED XLR INPUTS

The use of a fully balanced XLR input can be used in cases when the distance between the MiniMe DSP 15 and the audio source is excessive and susceptible to noise interference. Use the selector switch between the RCA and XLR inputs to select the desired input method.

### OTHER FEATURES

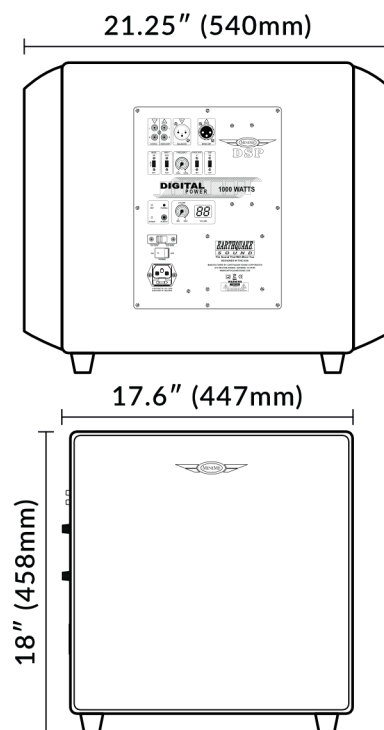
- 1000 watts high efficiency Class D amplifier
- Auto signal sensing turn on and standby mode
- Sub operation switch for different ranges
- Luxurious high gloss piano black lacquer finish
- Operation status LED indicator
- RCA inputs
- Selective variable crossover
- Remote and remote eye included
- Auto room correction
- 48dB/octave crossover
- SHS (Sub-harmonic Synthesizer)



# SPECIFICATIONS

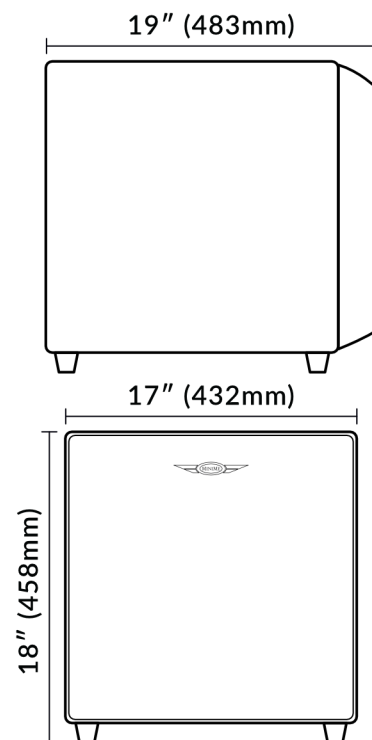
MODEL	P-15
Enclosure Type	Ported with Passive Radiator
Amplifier Power	1000 Watts MAX
Drivers	15" MAGMA-X Active 15" SLAPS v2 Passive
Frequency Response	18Hz-115Hz
Crossover Frequency	40Hz-160Hz
Inputs/Outputs	Low Level RCA Inputs & Outputs Fully Balanced XLR Input Mono DSP XLR Output
Enclosure Finish	Glossy Black Piano Lacquer
Dimensions (HxWxD) Includes grilles, amplifier, and feet	18" x 17.6" x 21.25" 458mm x 448mm x 540mm

MiniMe DSP P-15  
MSRP: \$2,299.00



MODEL	FF-15
Enclosure Type	Sealed Front Firing
Amplifier Power	1000 Watts MAX
Drivers	15" MAGMA-X Active
Frequency Response	18Hz-115kHz
Crossover Frequency	40Hz-160Hz
Inputs/Outputs	Low Level RCA Inputs & Outputs Fully Balanced XLR Input Mono DSP XLR Output
Enclosure Finish	Glossy Black Piano Lacquer
Dimensions (HxWxD) Includes grilles, amplifier, and feet	18" x 17.6" x 19" 458mm x 448mm x 483mm

MiniMe DSP FF-15  
MSRP: \$2,199.00



**Earthquake Sound Corporation**

2727 McCone Avenue, Hayward, CA 94545 • www.earthquakesound.com • 510-732-1000

©2021 Earthquake Sound Corporation

All copyrighted, trademarked, and patented elements mentioned herein are the sole property of Earthquake Sound Corporation.