

Specification

Nominal Basket Diameter	10", 254mm
Nominal Impedance	8-Ohms
Power Rating	160 Watts
Resonance	46.1 Hz
Usable Frequency Range	47 Hz - 4.8 kHz
Sensitivity	94
Magnet Weight	38.29 oz.
Voice Coil Diameter	2.5", 63.5mm

Thiele & Small Parameters

Resonant Frequency (fs)	46.1 Hz
DC resistance (Re)	6.8 Ohms
Coil Inductance (Le)	0.857 mH
Mechanical Q (Qms)	6.04
Electromagnetic Q (Qes)	0.43
Total Q (Qts)	0.40
Compliance Equivalent Volume (Vas)	60.1 liters / 2.1 cu. ft.
Mechanical Compliance of Suspension (Cms)	0.18mm/N
BL Product (BL)	13.6 T-M
Diaphragm Mass (Mmd)	35.9 grams
Maximum Linear Excursion (Xmax)	4.0mm
Surface Area of Cone (Sd)	0.0380 sqM

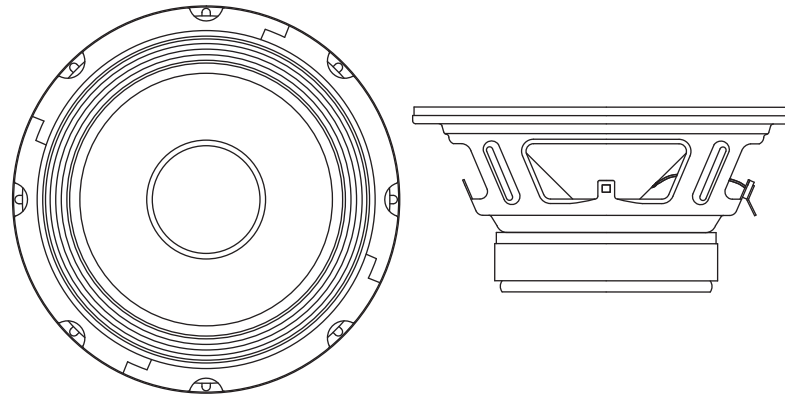
Mounting Information

Recommended Enclosure Volume	
Sealed	
Vented	1.0-2.1 ft3
Overall Diameter	10.157", 258.5mm
Cut Out Diameter	9.25", 235mm
Front Sealing Gasket	fitted as standard
Rear Sealing Gasket	fitted as standard
Mounting Holes Diameter	0.28" x 0.20" , 7.2mm x 5.2mm
Mounting Depth	4.15", 105.5mm

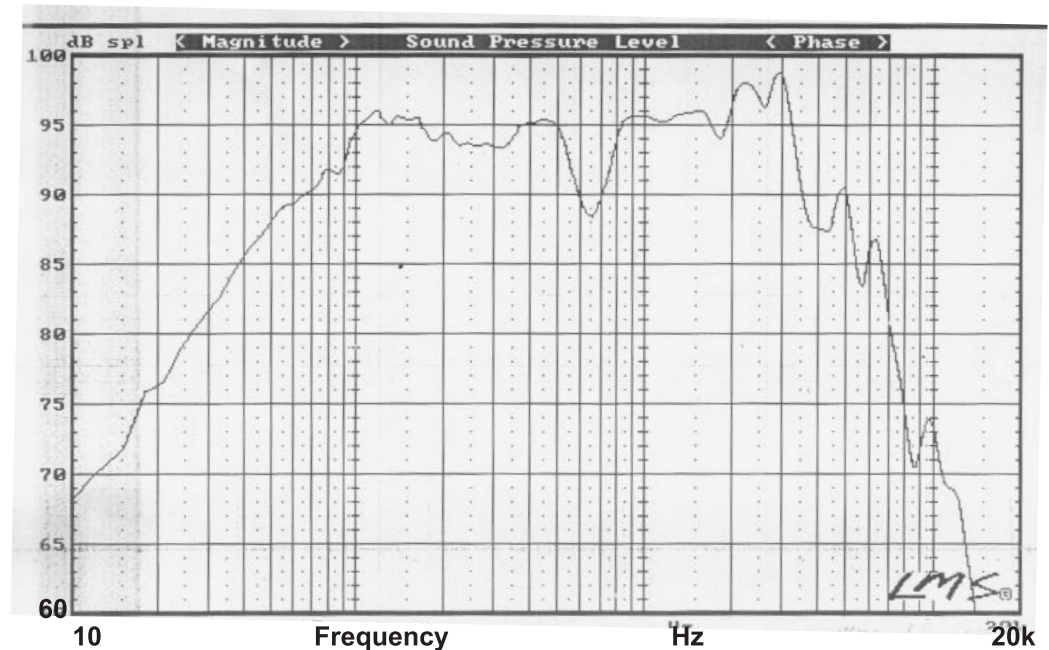
Materials of Construction

Aluminum voice coil
Polyimide former
Ferrite magnet
Vented and extended core
Stamped steel basket
Paper cone
Cloth surround
Solid composition paper dust cap

EARTHQUAKE
EARTHQUAKE
SOUND
Sound That Will Move You.



Earthquake EQ108 Pro Audio Series



Earthquake Sound Corporation
2727 McCone Avenue • Hayward, CA 94545 • phone: 800-576-7944
fax: 510-732-1095 • www.earthquakesound.com