

# **EARTHQUAKE EARTHQUAKE SOUND**

The Sound That Will *Move* You

## **Pro-X Professional Woofers (Pro-X128 / Pro-X158 / Pro-X188)**

Installation  
&  
Reference Manual



# INTRODUCTION / SPECIFICATIONS

Dear Valued Customer,

Earthquake Sound Corporation, located in Hayward California; specializes in manufacturing high end car audio products ranging from the smallest titanium tweeter to the world's largest amplifiers & subwoofers.

This owners manual is designed to better acquaint you with the Pro-X woofers and to guide you through all phases of system design and application. It is imperative that you read this manual in its entirety, Earthquake technicians and staff are looking forward to answering any questions you might have.

**CAUTION:** Earthquake's Pro-X woofers are capable of generating high sound pressure levels. You should exercise caution when operating our woofers and amplifiers. Long term exposures to high levels of sound pressure will cause permanent hearing damage. Sound pressure levels exceeding 85dB can be dangerous with constant exposure. Earthquake Sound Corporation does not assume liability for damages resulting from the direct use of or other Earthquake products, and urges users to play sound systems at moderate listening levels for every day use.

<b>DRIVER:</b>	<b>Pro-X128</b>	<b>Pro-X158</b>	<b>Pro-X188</b>
<b>Free Air Resonance (Fs)</b>	49 Hz	42 Hz	36 Hz
<b>Electrical "Q" (Qes)</b>	0.362	0.506	0.732
<b>Mechanical "Q" (Qms)</b>	7.619	9.183	8.44
<b>Total Speaker "Q" (Qts)</b>	0.345	0.480	0.666
<b>Xmax</b>	1/2" / 12.7mm	3/4" / 19mm	1" / 25mm
<b>Efficiency (1W/1M)</b>	96 dB SPL	97.5 dB SPL	98 dB SPL
<b>REVC</b>	6 Ohm	6 Ohm	6 Ohm
<b>BL</b>	19.453TM	18.986TM	20.25TM
<b>VAS</b>	66Lt / 2.34ft <sup>3</sup>	121Lt / 4.25ft <sup>3</sup>	386Lt / 13.6ft <sup>3</sup>
<b>Nominal Impedance</b>	8-Ohm	8-Ohm	8-Ohm
<b>Voice Coil Size</b>	4" / 100mm	4" / 100mm	4" / 100mm
<b>Recommended Power</b>	600 WRMS 1200 Watts MAX	700 WRMS 1400 Watts MAX	800 WRMS 1600 Watts MAX

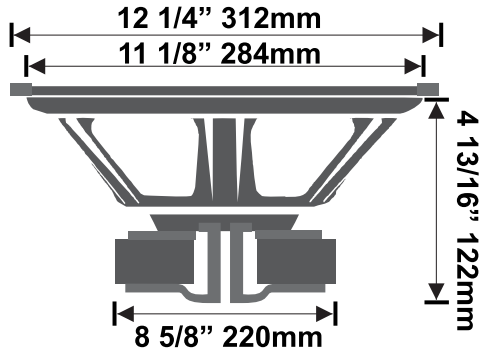
# Pro-X128 ENCLOSURE DESIGNS

**Woofer Cut Out Diameter:**

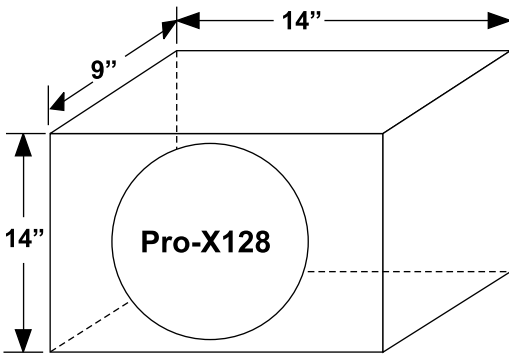
11 1/8" (284mm)

**Woofer Mounting Depth:**

4 13/16" (122mm)



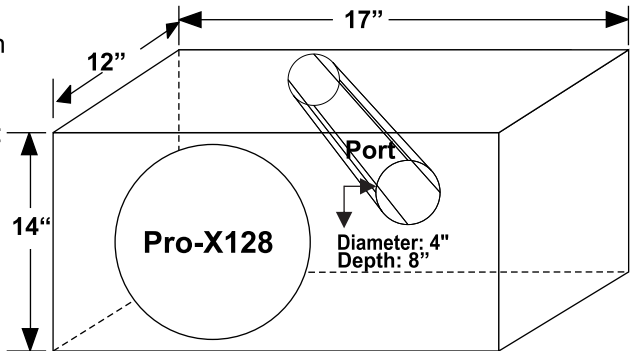
**#1** Sealed design for tight bass.  
Sealed box recommendation:  
1-1.25cu.ft.



**Tuning Frequency:** 50 Hz

**Subwoofer Displacement:** 280 Cubic Inches

**#2** Port tuned design for deep bass.  
Ported box recommendation:  
1.5-1.75cu.ft.



**Tuning Frequency:** 40Hz

**Port Displacement:** 100 Cubic Inches

**Subwoofer Displacement:** 280 Cubic Inches

Dimensions shown are external using 3/4" MDF

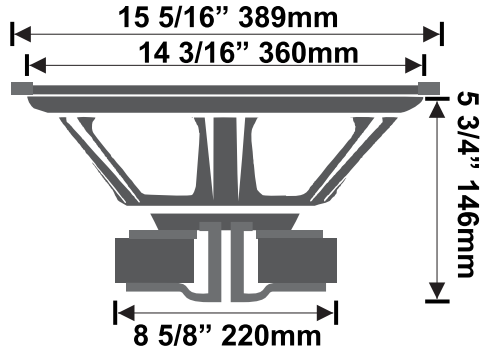
# Pro-X158 ENCLOSURE DESIGNS

## Woofer Cut Out Diameter:

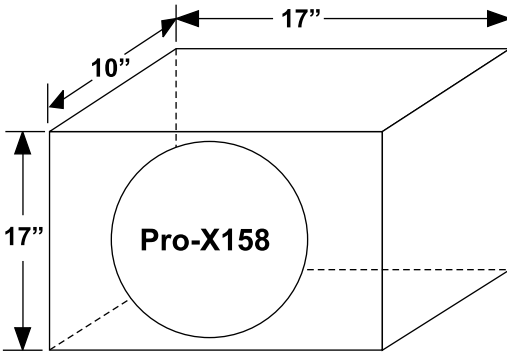
14 3/16" (360mm)

## Woofer Mounting Depth:

5 3/4" (146mm)



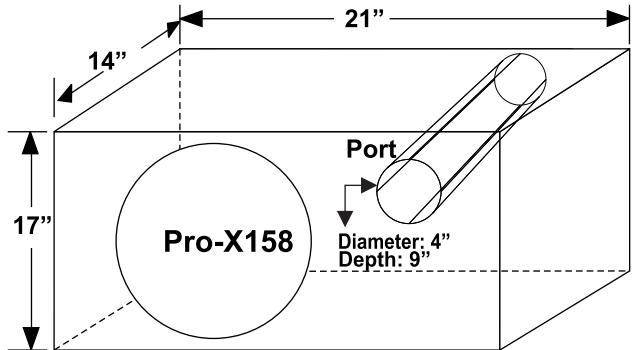
- #1** Sealed design for tight bass.  
Sealed box recommendation:  
1.75-2.25cu.ft.



Tuning Frequency: 45 Hz

Subwoofer Displacement: 460 Cubic Inches

- #2** Port-tuned design  
for deep bass.  
Ported box  
recommendation:  
2.5-3cu.ft.



Tuning Frequency: 35 Hz

Port Displacement: 115 Cubic Inches

Subwoofer Displacement: 460 Cubic Inches

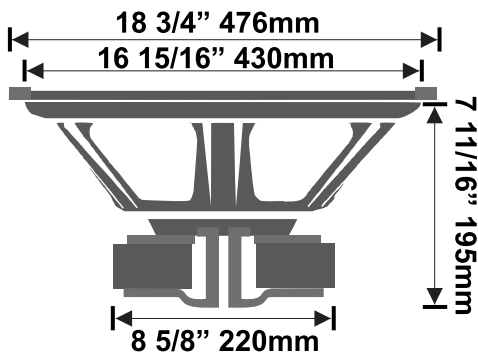
# Pro-X188 ENCLOSURE DESIGNS

**Woofer Cut Out Diameter:**

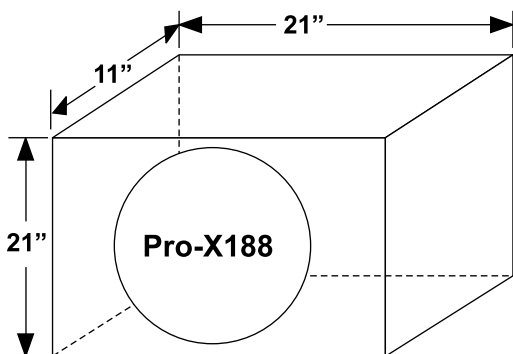
16 15/16" (430mm)

**Woofer Mounting Depth:**

7 11/16" (195mm)



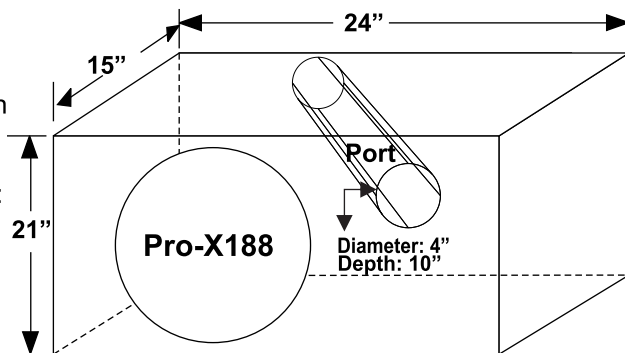
**#1** Sealed design for tight bass.  
Sealed box recommendation:  
2.75-3cu.ft.



**Tuning Frequency:** 40 Hz

**Subwoofer Displacement:** 902 Cubic Inches

**#2** Port-tuned design  
for deep bass.  
Ported box  
recommendation:  
3.75-4.5cu.ft.



**Tuning Frequency:** 32 Hz

**Port Displacement:** 126 Cubic Inches

**Subwoofer Displacement:** 902 Cubic Inches

Dimensions shown are external using 3/4" MDF

# Pro-X Ninety (90) Days Limited Warranty

## Ninety (90) Days limited warranty

Earthquake warrants the original purchaser that all Factory Sealed New Audio Products to be free from defects in material and workmanship under normal and proper use for a period of ninety (90) days from the date of purchase (as shown on the original sales receipt with serial number affixed/written on it). The ninety (90) days warranty period is valid only if an authorized Earthquake dealer properly installs the product and the warranty registration card is properly filled out and sent to Earthquake Sound Corporation. If a non-authorized party installs the product no warranty period will be applied.

### **(A) Ninety (90) days limited warranty plan coverage guidelines:**

Earthquake pays for labor, parts, and ground freight (only in US mainland, not including Alaska and Hawaii) / (shipping to us is not covered).

### **(B) Warning:**

Products (sent for repair) that are tested by Earthquake technicians and deemed to have no problem(s) will not be covered by the ninety (90) days limited warranty. **Customer will be charged a minimum of one (1) hour of labor (at the ongoing rates) plus shipping charges back to customer.**

### **(C) Earthquake will repair or replace - at our option - all defective products/parts subject to the following provisions:**

- Defective products/parts have not been altered or repaired by other than an Earthquake factory-approved technician.
- Products/parts are not subjected to negligence, misuse, improper use or accident, damaged by improper line voltage, used with incompatible products or have its serial number or any part of it altered, defaced or removed, or have been used in any way that is contrary to Earthquake's written instructions.

### **(D) Warranty Limitations:**

Warranty does not cover products that have been modified or abused, including but not limited to the following:

- Damages to speaker cabinet and cabinet finish due to misuse, abuse or improper use of cleaning materials/methods.
- Bent speaker frame, broken speaker connectors, holes in speaker cone, surround & dust cap, burnt speaker voice coil.
- Fading and or deterioration of speaker components & finish due to improper exposure to elements.
- Bent amplifier casing, damaged finish on the casing due to abuse, misuse or improper use of cleaning material.
- Burnt tracers on PCB.
- Product/part damaged due to poor packaging or abusive shipping conditions.
- Subsequent damage to other products.

**A** warranty claim will not be valid if the warranty registration card is not properly filled & returned to Earthquake with a copy of the sales invoice. Warranty card is found inside the box with the product.

**(E) Service Request:**

To receive product service, contact Earthquake service department at (510) 732-1000 and request an RMA number (Return Material Authorization). Items shipped without a valid RMA number will be refused. Make sure you provide us with your complete/correct shipping address, a valid phone number, and a brief description of the problem you are experiencing with the product. In most cases, our technicians might be able to resolve the problem over the phone; thus, eliminating the need to ship the product.

**(F) Shipping Instructions:**

Product(s) must be packaged in its original protective box(es) to minimize transport damage. Shipper claims regarding items damaged in transit must be presented to carrier. Earthquake Sound Corporation reserves the right to refuse improperly packed product. A copy of the original sales receipt must accompany product returned for service. We encourage you to include with the package a written description of the problem. Ship product to: Earthquake Sound Corp. 2727 Mc Cone Avenue, Hayward, CA 94545. Ph (510) 732-1000. You are responsible for the cost of shipping the product to Earthquake Sound Corporation.

**(G) Disputes Resolution:**

All disputes - between clients and Earthquake Sound Corporation - resulting from the ninety (90) days limited warranty policy must be resolved according to the laws & regulations of the county of Alameda - California.

**PRODUCT REGISTRATION**

Your subwoofer(s) must be registered by returning the Product Registration found inside the box. Please also retain the sales receipt, which represents proof of purchase and helps expedite warranty issues.

We recommended that you place or write your serial number here for future reference, if necessary.

**SERIAL NUMBER**



The Sound That Will *Move* You

Earthquake Sound reserves the right to amend details of the specifications without notice.

© Copyright Earthquake Sound Corporation

Earthquake Sound Corporation

2727 McCone Avenue, Hayward CA, 94545

Phone: (510) 732-1000 U.S. Toll Free: (800) 579-7944 Fax: (510) 732-1095