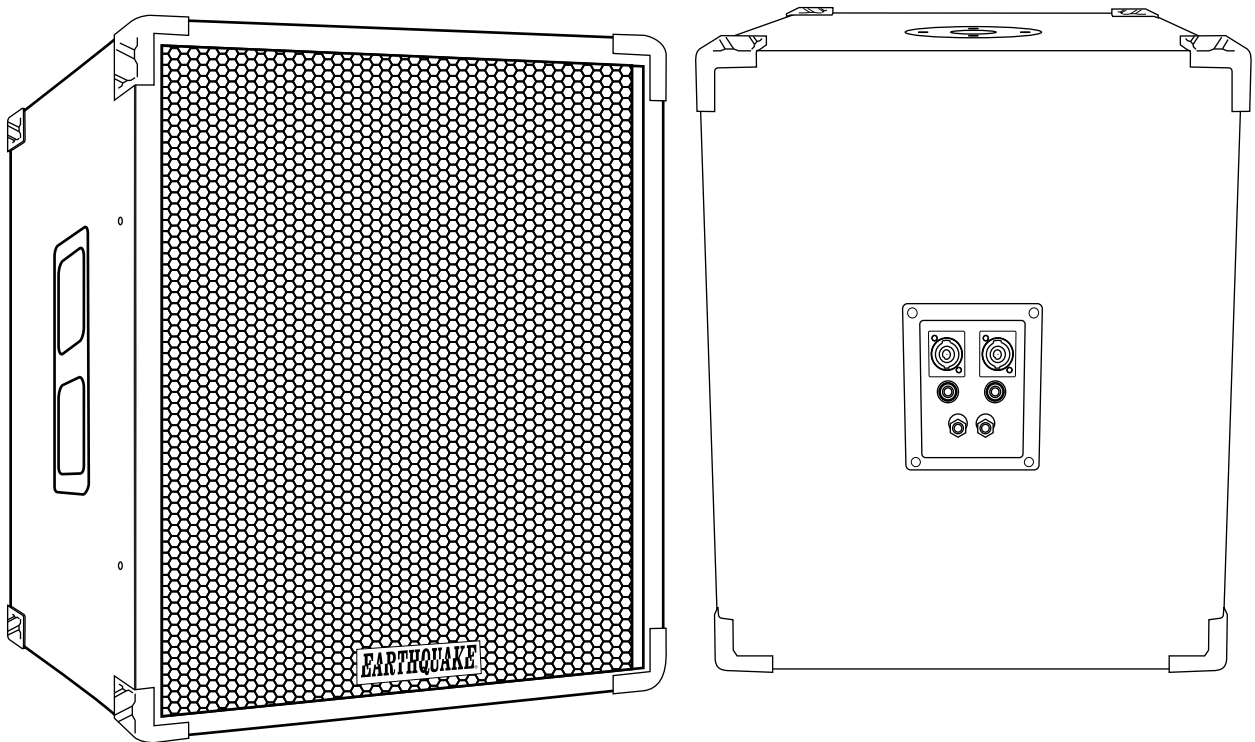


EARTHQUAKE EARTHQUAKE®

DJ-QUAKE P12

12-inch Passive Subwoofer



Owner's Manual

Table of Contents

Introduction and Safety Instructions.....	2
About Earthquake Sound Corporation.....	3
Subwoofer Overview.....	4
Connection Examples.....	5
Dimensions and Specifications.....	6
Warranty Information.....	7

Introduction

DJ-Quake P12 is a portable passive subwoofer to add to your existing DJ-Quake 2.1 System. The subwoofer features balanced and unbalanced line inputs, as well as built-in speaker stand adapter and crossover.

Safety Instructions

- 1) Read these instructions in their entirety.
- 2) Store this manual and packaging in a safe place.
- 3) Heed all warnings.
- 4) Follow instructions (do not take shortcuts).
- 5) Do not use this apparatus near water.
- 6) Clean only with a dry cloth.
- 7) Do not block any ventilation openings. Install in accordance with the manufacturer's instructions.
- 8) Do not install near any heat sources such as radiators, heat registers, stoves, or other apparatuses that produce heat.
- 9) To reduce the risk of fire or electric shock, do not expose this apparatus to rain or moisture.



The Sound That Will *Move* You

Earthquake Sound Corporation
2727 McCone Avenue
Hayward, CA 94545
United States of America
Tel: 510-732-1000
Fax: 510-732-1095

© Earthquake Sound Corporation. All rights reserved.

This document should not be construed as a commitment on the part of Earthquake Sound Corporation. The information is subject to change without notice.

Earthquake Sound Corporation assumes no responsibility for errors that may appear within this document.

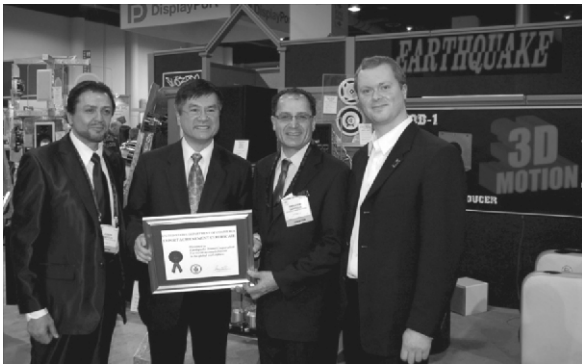
About Earthquake Sound Corporation

For over 30 years, Earthquake Sound has been producing a variety of high quality audio products that have impressed audiophile communities around the world. It all started in 1984 when Joseph Sahyoun, a music freak and Aerospace Engineer unhappy with the existing loud speaker technology and performance, decided to put his advance engineering knowledge to use. He pushed technological boundaries to the limit to create the kind of subwoofer he could live with. Earthquake quickly created a name for itself in the car audio industry and became well known for its powerful subwoofers and amplifiers. In 1997, using his existing expertise in the audio industry, Joseph Sahyoun expanded his company to home audio production.

Earthquake Sound has since evolved into a leader in the home audio industry, producing not only subwoofers and amplifiers but surround speakers and tactile transducers as well. Engineered by audiophiles for audiophiles, Earthquake Sound audio products are meticulously crafted to reproduce each and every single note perfectly, bringing your home theater experience to life. With true dedication and full attention to details, Earthquake Sound engineers continuously develop new and better products to meet customers' needs and go beyond their expectations.

From mobile audio to prosound and home audio, Earthquake Sound has been selected as the winner of many prestigious awards based on sound quality, performance, value and features. CEA and numerous publications have awarded Earthquake Sound with over a dozen design and engineering awards. Additionally, Earthquake Sound has been granted many design patents by the USPO for revolutionary audio designs that have changed the sound of the audio industry.

Headquartered in a 60,000 square foot facility in Hayward, California USA, Earthquake Sound currently exports to over 60 countries worldwide. In 2010, Earthquake Sound expanded its export operations by opening a European warehouse in Denmark. This accomplishment was recognized by the US Department of Commerce who honored Earthquake Sound with an Export Achievement award at the 2011 Consumer Electronic Show. Just recently, the US Department of Commerce presented Earthquake Sound with another Export Achievement award for expanding its export operations in China.



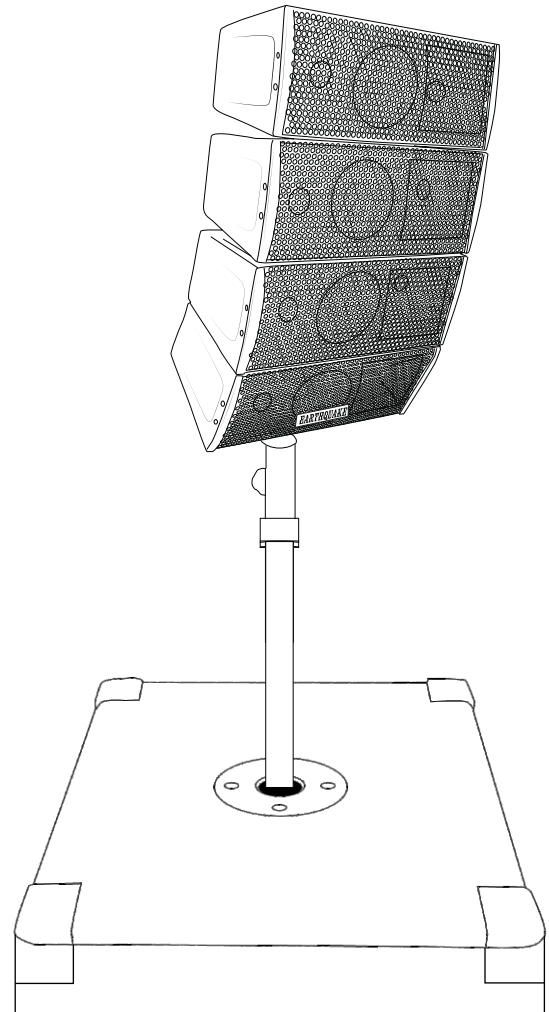
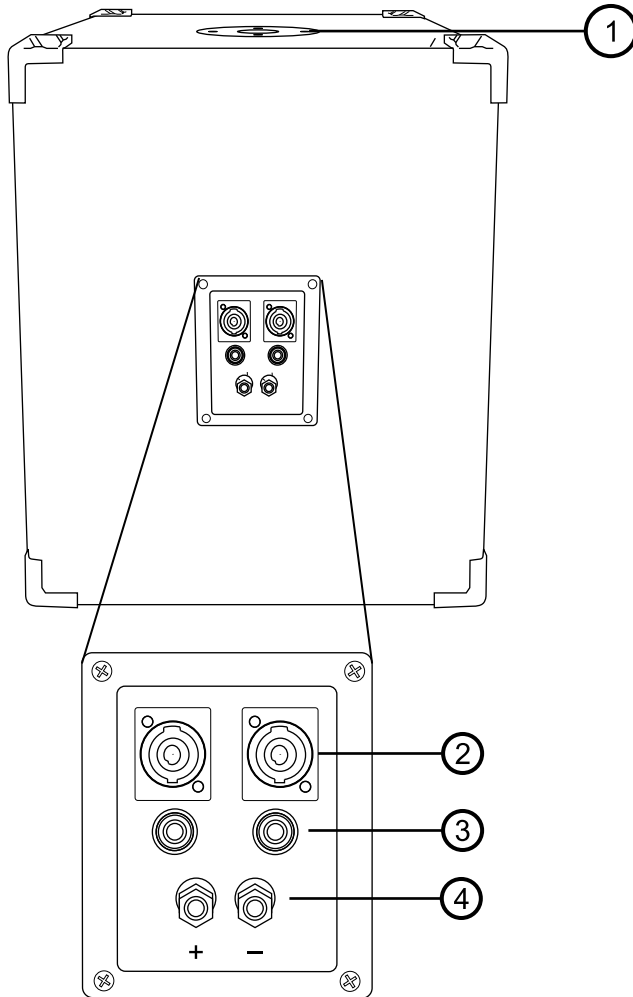
Joseph Sahyoun, US Secretary of Commerce Gary Locke, Abraham Sahyoun and Thomas Mygind



US Commercial Officer Sarah Fox and Joseph Sahyoun



Subwoofer Overview



- ① **STAND ADAPTER**
This standard 35mm diameter hole is designed to support most speaker stands.
- ② **SPEAKON IN/OUT**
Use one of these connectors to connect the DJ-Quake P12 to the DJ-Quake system. If using multiple DJ Quake P12 Subs, use the other speaker connector to pass the signal to the other sub (see page 5).
- ③ **BALANCED TRS IN/OUT**
Use one of these balanced connectors to connect the DJ-Quake P12 to the DJ-Quake system. If using multiple DJ Quake P12 Subs, use the other speaker connector to pass the signal to the other sub (see page 5).

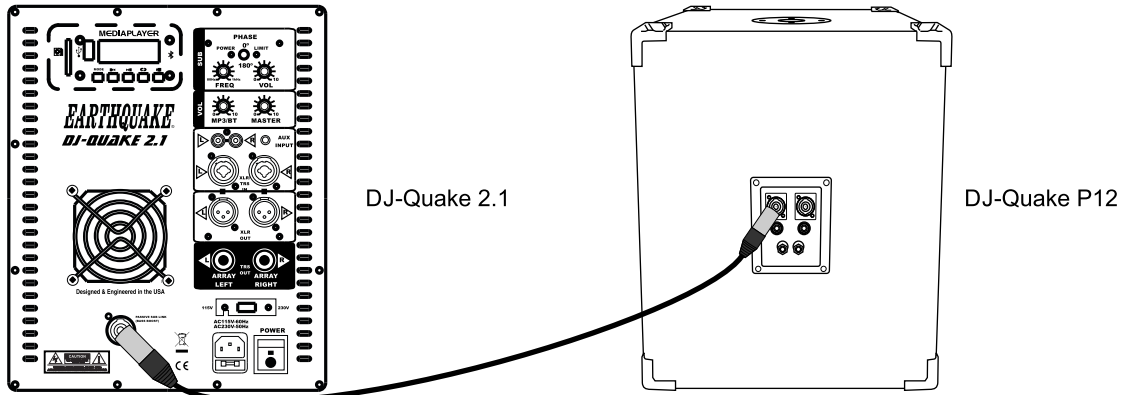
- ④ **SPEAKER LEVEL INPUTS**
Use these input terminals if your amplifier only provides speaker level outputs. Although these binding connectors can accept banana plugs, we suggest using bare wire for a more secure connection. Always connect red-to-red and black-to-black as reversing the connection (red to black) will result in possible lack of bass.

WARNING Connect only **one** input source.

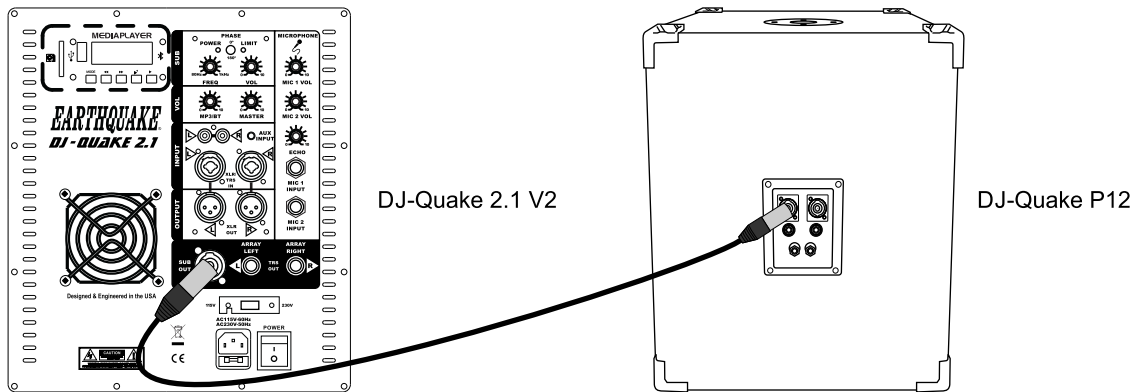
WARNING Do **not** use multiple DJ-Quake P12 with the DJ-Quake 2.1 system.

Connection Examples

CONNECTING DJ-QUAKE P12 TO DJ-QUAKE 2.1 SYSTEM

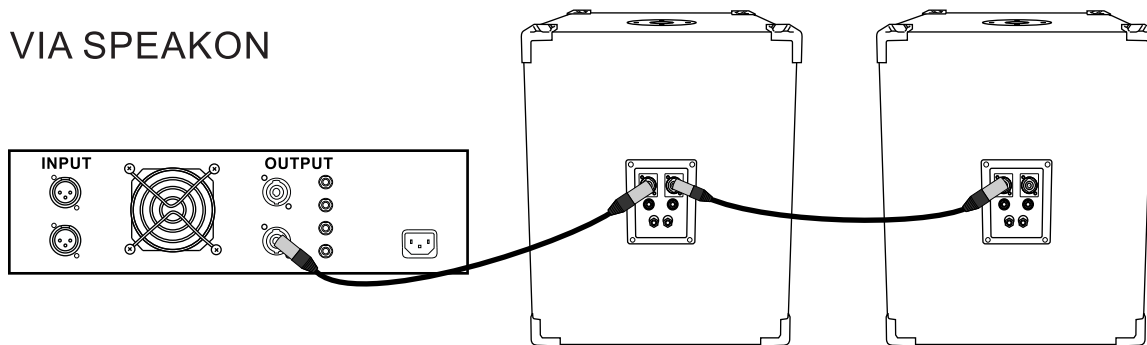


OR

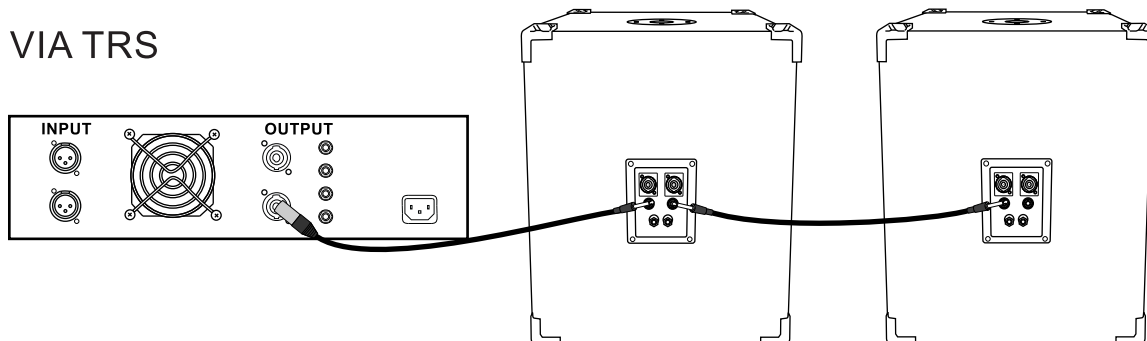


CONNECTING MULTIPLE DJ-QUAKE P12 TO AN AMPLIFIER

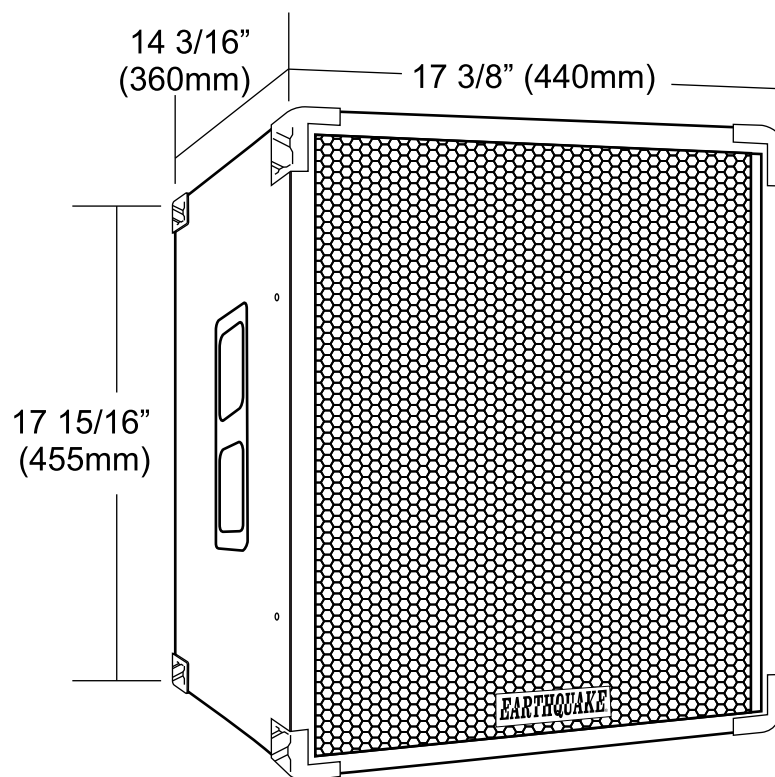
VIA SPEAKON



VIA TRS



Dimensions and Specifications



Power Handling	1000 Watts (500 Watts RMS)
Subwoofer Size	12-inch
Sub Crossover Freq.	30 - 700 Hz
Nominal Impedance	8-Ohm
Input Connections	Balanced TRS (In/Out) Speakon (In/Out) Speaker Terminal
Built-in Features	Speaker stand adapter Carrying handles Corner Bumpers
Weight	37.8 lbs (17.1 kg)

One (1) Year Limited Warranty Guidelines

Earthquake warrants the original purchaser that all Factory Sealed New Audio Products to be free from defects in material and workmanship under normal and proper use for a period of one (1) years from the date of purchase (as shown on the original sales receipt with serial number affixed/written on it).

The one (1) year warranty period is valid only if an authorized Earthquake dealer properly installs the product and the warranty registration card is properly filled out and sent to Earthquake Sound Corporation.

(A) One (1) years limited warranty plan coverage guidelines:

Earthquake pays for labor, parts, and ground freight (only in US mainland, not including Alaska and Hawaii. Shipping to us is not covered).

(B) Warning:

Products (sent for repair) that are tested by Earthquake technicians and deemed to have no problem(s) will not be covered by the one (1) year limited warranty. Customer will be charged a minimum of one (1) hour of labor (at the ongoing rates) plus shipping charges back to customer.

(C) Earthquake will repair or replace at our option all defective products/parts subject to the following provisions:

- Defective products/parts have not been altered or repaired by other than an Earthquake factory-approved technicians.
- Products/parts are not subjected to negligence, misuse, improper use or accident, damaged by improper line voltage, used with incompatible products or have its serial number or any part of it altered, defaced or removed, or have been used in any way that is contrary to Earthquake's written instructions.

(D) Warranty Limitations:

Warranty does not cover products that have been modified or abused, including but not limited to the following:

- Damages to speaker cabinet and cabinet finish due to misuse, abuse or improper use of cleaning materials/methods.
- Bent speaker frame, broken speaker connectors, holes in speaker cone, surround & dust cap, burnt speaker voice coil.
- Fading and/or deterioration of speaker components & finish due to improper exposure to elements.
- Bent amplifier casing, damaged finish on the casing due to abuse, misuse or improper use of cleaning material.
- Burnt tracers on PCB.
- Product/part damaged due to poor packaging or abusive shipping conditions.
- Subsequent damage to other products.

A warranty claim will not be valid if the warranty registration card is not properly filled & returned to Earthquake with a copy of the sales receipt.

(E) Service Request:

To receive product service, contact Earthquake Service Department at (510) 732-1000 and request an RMA number (Return Material Authorization). Items shipped without a valid RMA number will be refused. Make sure you provide us with your complete/correct shipping address, a valid phone number, and a brief description of the problem you are experiencing with the product. In most cases, our technicians might be able to resolve the problem over the phone; Thus, eliminating the need to ship the product.

(F) Shipping Instructions:

Product(s) must be packaged in its original protective box(es) to minimize transport damage and prevent repackaging cost (at the ongoing rates). Shipper claims regarding items damaged in transit must be presented to carrier. Earthquake Sound Corporation reserves the right to refuse improperly packed product. A copy of the original sales receipt must accompany product returned to service. We encourage you to include a written description of the problem. Ship product to:

Earthquake Sound Corp. 2727 McCone Avenue. Hayward, CA 94545

You are responsible for the cost of shipping the product to Earthquake Sound Corporation.

(G) Disputes Resolution:

All disputes between clients and Earthquake Sound Corporation resulting from the one (1) year limited warranty policy must be resolved according to the laws & registration of the county of Alameda California.



The Sound That Will *Move* You

Earthquake Sound Corporation

2727 McCone Avenue. Hayward CA, 94545. USA

US Toll Free: 800-576-7944 | Phone: 510-732-1000 | Fax: 510-732-1095

www.earthquakesound.com