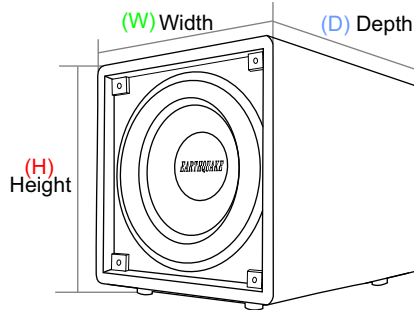




Model: MKIV-12

Model: MKIV-10



	MKIV 10	MKIV 12
(H) Height w/ feet	12-1/8" (308mm)	14-3/4" (375mm)
(W) Width w/ Amplifier	12" (305mm)	14-3/4" (375mm)
(D) Depth w/ grilles	15-3/4" (401mm)	17-3/4" (451mm)



PATENTED SLAPS

**OBJECTIVE**

Earthquake's Supernova MKIV Series of powered subwoofers delivers an amazing combination of high performance and efficiency. Its brilliant design overcomes the limitations known from conventional closed and ported designs that prevent radical excursion, deep response and high dB.

The active driver used in the MKIV is designed for accurate reproduction of bass and sub-bass frequencies. Its thermally pressed poly-ether foam surround allows high excursion without deformation. The Symmetrically Loaded Audio Passive System (SLAPS) lets one amplifier produce the output of two woofers, reducing your power consumption and electricity bill. The 450-Watt amplifier has a multitude of user friendly features that put you in control.

The MKIV has advanced technology that reproduces low recordings at high dB, putting you directly in the center of the movie set.

**INTENDED USE**

- ✓ Custom Home Theaters
- ✓ Custom installers, Retailers or Contractors
- ✓ Town Homes/Condos/Apartments/Restaurants

**SPECIAL FEATURES & HIGHLIGHTS**

- Dual firing powered subwoofer with SLAPS passive
- SLAPS technology increases dB level and saves energy
- 450 Watts class "A/B" power amplifier
- 12 dB/Octave variable filter from 40 Hz to 180 Hz
- Auto signal detection for ON/OFF
- Low level (RCA) & High level inputs
- Low level outputs
- Full range speaker outputs
- High power long excursion subwoofer
- 0 - 180° phase shift
- Rounded edge cabinet
- Flush grilles

**SPECIFICATIONS**

	MKIV 10	MKIV 12
Amplifier Power	450 Watts	
Frequency Response	25Hz-180Hz	20Hz-180Hz
Weight	29 lbs / 13.2 kgs	38 lbs / 17.3 kgs
Finish	Black Ash	
MSRP	\$799.00	\$899.00