

S.L.A.P.S. Series

SLAPS-12
SLAPS-15



Earthquake SLAPS are tuned radiators that provide additional bass, without adding amplifier power or enclosure volume. Designed to perfectly complement most all Earthquake subwoofers, they add up to +6dB of high-output from the same box, woofer and amplifier combination. Plus, thanks to user-tunable adjustments, they can be set to match any vehicle requirement or musical preference.

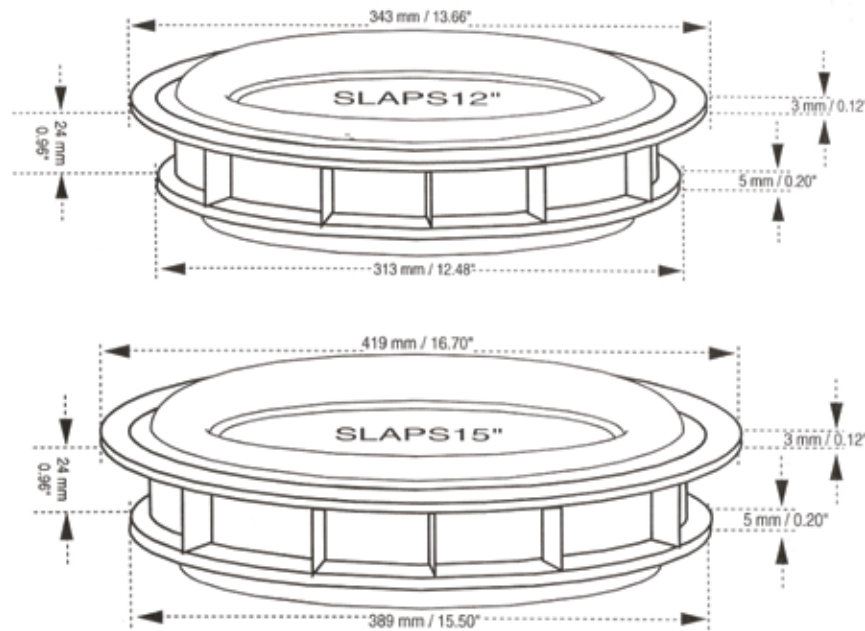
SLAPS FEATURES:

- Can add up to 4 decibels without adding amplifier power or enclosure volume when coupled with the most woofers
- Delivers performance superior to vented boxes in a small box with no noise and no phase shift in the audio band
- Low profile design, only 3 inches of depth required
- Easy tuning for quick adjustments
- Super wide edge surround for high excursion and high dB
- Green efficiency

EARTHQUAKE
EARTHQUAKE
SOUND
The Sound That Will Move You

S.L.A.P.S. Information

SLAPS-12/SLAPS-15



SPECIFICATIONS:

	SLAPS - 12	SLAPS - 15
(D) Overall Dia.	13.66" (343mm)	16.70" (419mm)
(C) Cut out Dia.	12.48" (313mm)	15.50" (389mm)

INTENDED USE:

- DJ and/or Pro Sound applications
- PA systems
- Schools, halls, places of worship
- Conference/meeting rooms
- Gyms/fitness centers

