

Specification

Nominal Basket Diameter	5", 127mm
Nominal Impedance	8-Ohms
Max Power Rating	100 Watts
Resonance	503Hz \pm 15%
Usable Frequency Range	300Hz - 14kHz
Sensitivity	96 dB
Magnet Weight	30 oz.
Voice Coil Diameter	1-3/16", 30mm

Thiele & Small Parameters

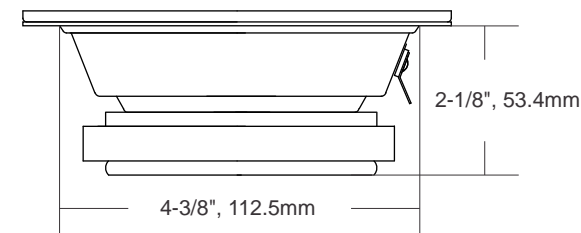
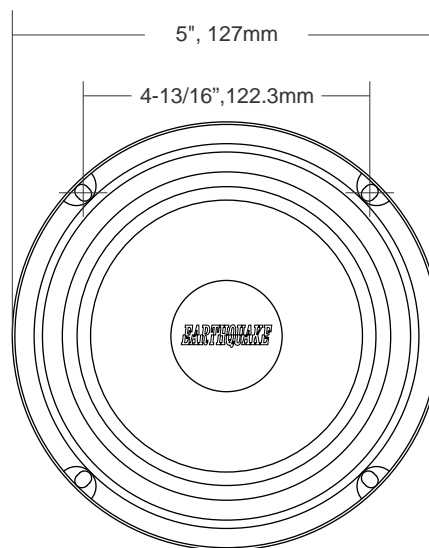
Resonant Frequency (Fo)	503Hz
DC resistance (Re)	6.5 Ohms
Coil Inductance (Le)	1.257 mH
Mechanical Q (Qms)	11.286
Electromagnetic Q (Qes)	1.635
Total Q (Qts)	1.428
Compliance Equivalent Vol (Vas)	0.165 liters / 0.006 cu. ft.
Mechanical Compliance of Suspension (Cms)	0.018 mm/N
BL Product (BL)	8.434 T-m
Diaphragm Mass (Mmd)	5.236 grams
Maximum Linear Excursion (Xmax)	2 mm
Surface Area of Cone (Sd)	0.0082 sqM

Mounting Information

Recommended Enclosure Volume	
Sealed	2.8-5.6 liters/0.1-0.2 cu.ft.
Vented	3.4-15.6 liters/0.12-0.55 cu.ft.
Overall Diameter	5", 127mm
Cut Out Diameter	4-3/8", 112.5mm
Front Sealing Gasket	fitted as standard
Rear Sealing Gasket	fitted as standard
Mounting Holes Diameter	4-13/16", 122.3mm
Mounting Depth	2-1/8", 53.4mm

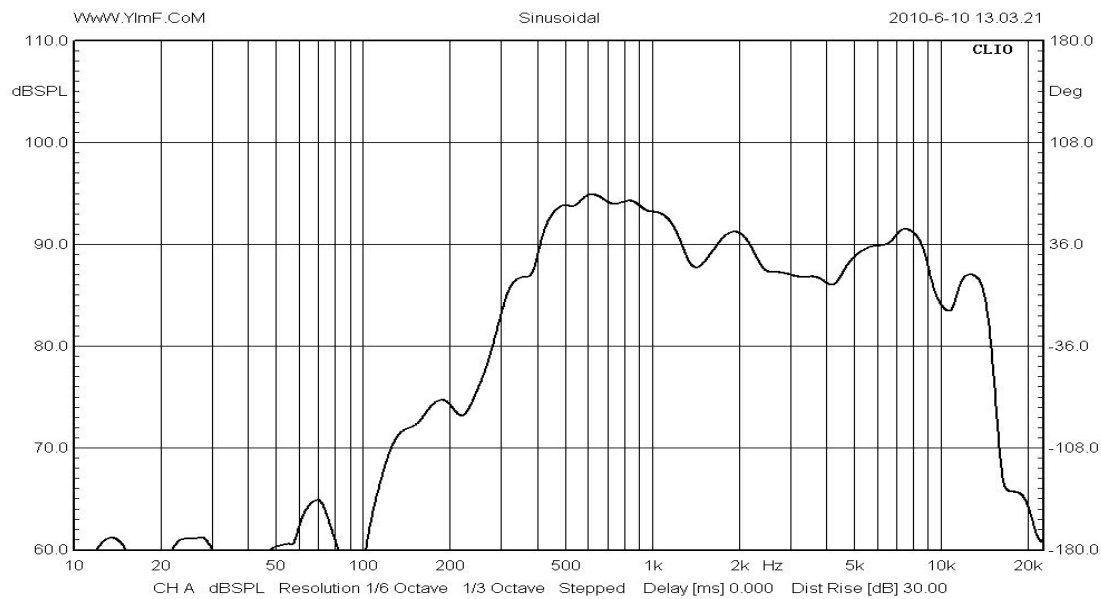
Materials of Construction

Copper voice coil
Polyimide former
Ferrite magnet
Extended core
Stamped steel sealed back basket
Pulp fiber cone
Cloth surround
Solid composition paper dust cap



EARTHQUAKE
SOUND
Sound That Will Move You.

Earthquake EQ5S8 Pro Audio Series



Earthquake Sound Corporation
2727 McCone Avenue • Hayward, CA 94545 • phone: 800-576-7944
fax: 510-732-1095 • www.earthquakesound.com