

Edgeless Ceiling Speakers

Models: **R650**
R6D
R800
R8D

User's Manual



Introduction

Congratulations on your choice of the **Edgeless RCS In-Ceiling** Speaker systems, one of Earthquake's most valued in-ceiling speaker lines. With the proper installation and operation the Edgeless RCS speakers will provide a life a time of durability and high-end performance.

It is important that you follow all installation and mounting instructions and recommendations in this manual closely and carefully to insure optimal performance operation and longevity.

Features

- 12dB/Octave Filter Network Crossover
- Silk Neodymium Swiveling Tweeters
- Wide Surround/High Excursion with patented Piston Max™ Technology
- Paintable Anti-Rust Magnetic Grilles
- Thermal Tweeter Protection
- Bumped Back Basket and T-yoke for Higher Speaker Excursion
- Easy to use Turn-N-Lock™ installation mechanism
- Custom Compact Spring Loaded Terminals
- Low Mass Polypropylene Cone
- Edgeless Design for Better Aesthetic and Reduced Visibility
- Rough-in Kit Ready



The Sound That Will *Move* You

Earthquake Sound Corporation
2727 McCone Avenue
Hayward, CA 94545. USA
Tel: 510-732-1000
Fax: 510-732-1095

Customer Support
tech@earthquakesound.com
Tel: 800-576-7944
Fax: 510-732-1095

© 2016 Earthquake Sound Corporation. All rights reserved.

This document should not be construed as a commitment on the part of Earthquake Sound Corporation. The information is subject to change without notice. Earthquake Sound Corporation assumes no responsibility for errors that may appear within this document.

Safety Instructions

- 1) Read these instructions in their entirety.
- 2) Store this manual and packaging in a safe place.
- 3) Heed all warnings.
- 4) Follow instructions (do not take short cuts).
- 5) Do not use this apparatus near water.
- 6) Clean only with a dry cloth.
- 7) Do not block any ventilation openings. Install in accordance with the manufacturer's instructions
- 8) Do not install near any heat sources such as radiators, heat registers, stoves, or other apparatuses that produce heat.
- 9) Do not defeat the safety purpose of the polarized or grounding-type plug. A polarized plus has two blades with one wider than the other. A grounding-type plug has two blades and a third grounding prong. The wide blade or the third prong is provided for your safety. If the provided plug does not fit into your outlet, consult an electrician for replacement of the obsolete outlet.
- 10) Protect the power cord from being walked on or pinched, particularly at plugs, convenience receptacles, and the pint where they exit from the apparatus.
- 11) Only use attachments & accessories specified by the manufacturer.
- 12) Use only compatible rack or cart for final resting position.
- 13) Unplug this apparatus during lightening storm or when unused for a long period of time.
- 14) Refer all servicing to qualified service personnel. Servicing is required when the apparatus has been damaged in anyway, such as: power-supply cord or plug is damaged, liquid has been spilled or objects have fallen into the apparatus, the apparatus has been exposed to rain or moisture, does not operate normally, or has been dropped.
- 15) To reduce the risk of fire or electric shock, do not expose this apparatus to rain or moisture.

Unpacking System Components

- Keep the original carton and packing materials for future shipment or storage.
- Check for any visual signs of damage. If you encounter any concealed damage, consult your Earthquake Sound dealer before proceeding with unit installation.
- Retain the sales receipt as it establishes the duration of the limited warranty and provides information for insurance purposes.

System Installation Considerations

There are several factors to consider before installing Earthquake Sound's **Edgeless RCS In-Ceiling Speakers**.

- What are the intended listening zones?
- What system options and accessories might be required for features such as local sources, etc.?
- From where in each zone will the listener prefer to control the system? Where will the remote gains be located? Where will the speakers be located?
- Where will the source equipment be located?

Connection Tips

- Keep all power cords away from all signal cables to prevent humming from induced noise.
- Choose reliable signal cable cords (Earthquake Sound also specializes in high-performance RCA cables and patches).
- All speaker wires that are ran through the walls should be twisted to reduce potential hum noise pick up.
- Label both ends of all wires with the corresponding room location.
- It is best to use a grounded electrical outlet to power the amplifier. Lack of input ground reference could be unsafe. Consult your electrical contractor about proper grounding.

Painting Guidelines

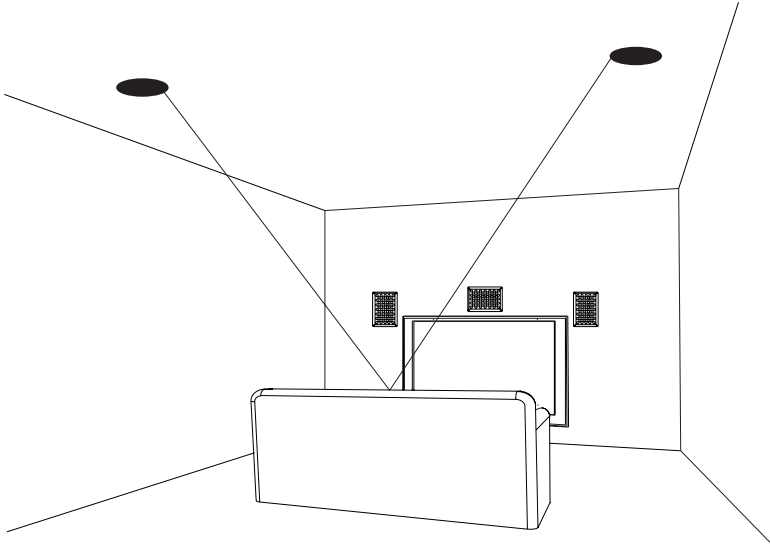
The RCS In-Ceiling Speaker grilles are paintable and can accept virtually any type of paint. We strongly recommend the following:

1. Remove the grilles from the speakers prior to painting them.
2. Thin the paint prior to application, if needed. Spray and roller paint applications typically provide the best results. Note that you may need to apply multiple thin layers of paint to achieve the desired shade without losing sound quality due to clogging of the grilles.
3. Let the painted grilles fully dry before mounting them back on the speakers.

Speaker Placement

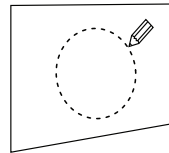
Edgeless RCS in-ceiling speakers are designed to be flush mounted in walls or ceilings. To optimize their acoustics you should follow these simple guidelines:

For best stereo reproduction the speakers should be placed an equal distance from your listening position and separated so that the angle between them is between 40-60°. The units should be placed with the tweeters angled toward the ear level of the seated listener.

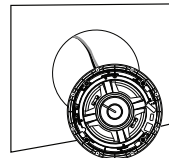


Easy Installation

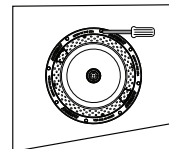
1 Cut the hole using the provided cut out template



2 Wire the speaker using the non-obtrusive spring-loaded terminals

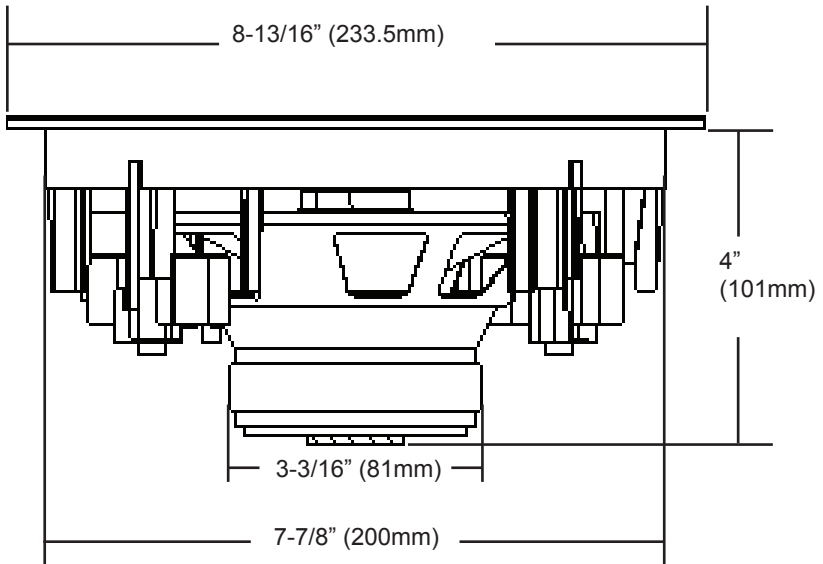


3 Mount the speaker by utilizing the Turn-N-Lock™ installation mechanisms



R650 Specifications

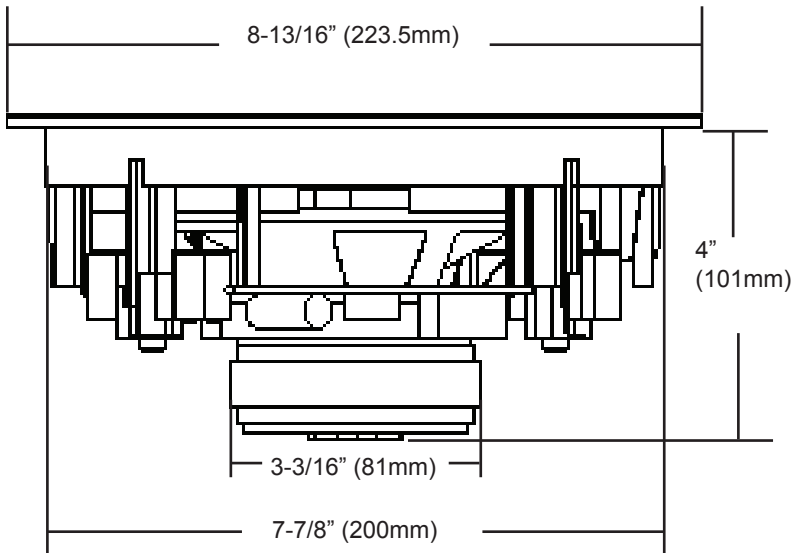
Woofer Size:	6-1/2" (165mm)
Woofer Material:	Polypropylene
Tweeter Size:	1" (25mm)
Tweeter Material:	Silk Dome/NEO Magnet
Power Handling Max:	160 Watts
Frequency Response:	45Hz - 20kHz
Sensitivity:	92dB @ 1W/1M
Impedance:	Single 8-Ohm
Crossover:	12dB/Octave Filter Network with Polyswitch
Grille Finish:	White/Paintable
Weight:	2.5 lbs (1.14kg)



Frame Diameter:	8-13/16" (223.5mm)
Grille Diameter:	9" (228mm)
Cut-out Hole Diameter:	7-7/8" (200mm)
Mounting Depth:	4" (101mm)
Magnet Diameter:	3-3/16" (81mm)

R6D Specifications

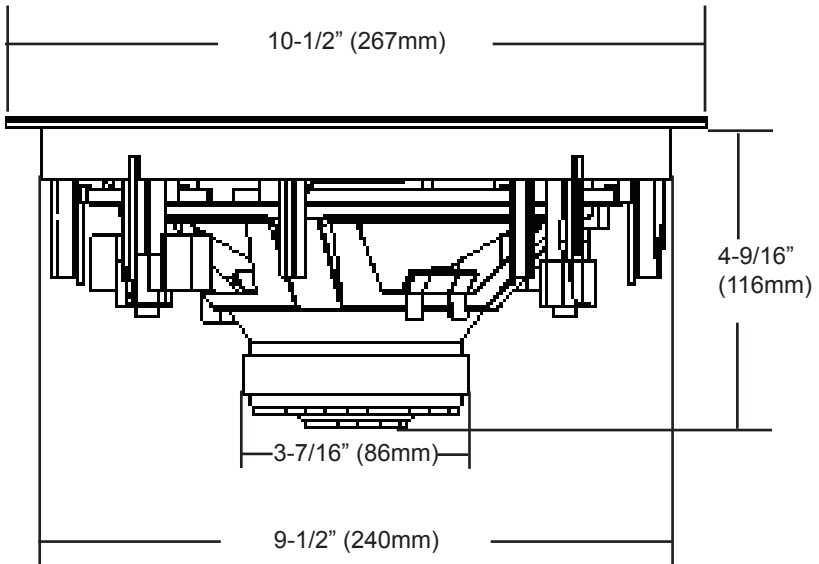
Woofers Size:	6-1/2" (165mm)
Woofers Material:	Polypropylene
Tweeter Size:	1" (25mm)
Tweeter Material:	Silk Dome/NEO Magnet
Power Handling Max:	160 Watts
Frequency Response:	45Hz - 20kHz
Sensitivity:	93dB @ 1W/1M
Impedance:	Dual 8-Ohm
Crossover:	12dB/Octave Filter Network with Polyswitch
Grille Finish:	White/Paintable
Weight:	2.7 lbs (1.23kg)



Frame Diameter:	8-13/16" (223.5mm)
Grille Diameter:	9" (228mm)
Cut-out Hole Diameter:	7-7/8" (200mm)
Mounting Depth:	4" (101mm)
Magnet Diameter:	3-3/16" (81mm)

R800 Specifications

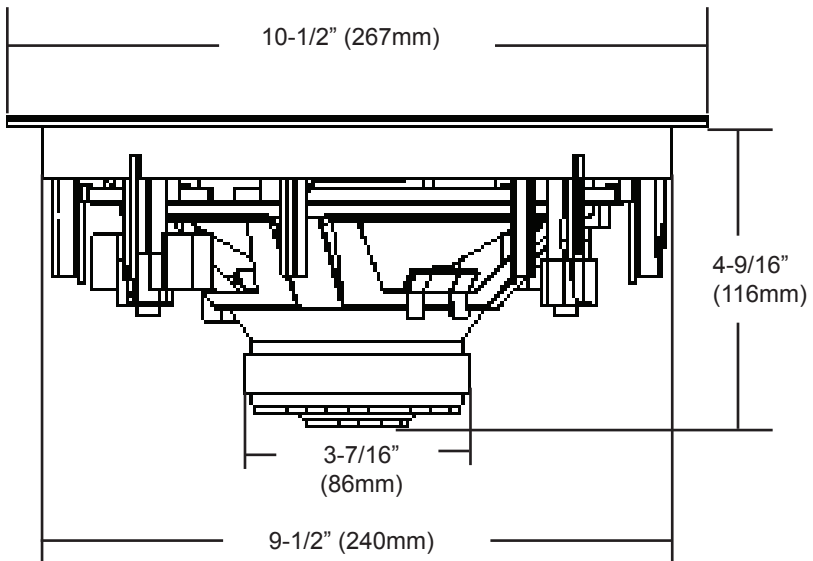
Woofers Size:	8" (203mm)
Woofers Material:	Polypropylene
Tweeter Size:	1" (25mm)
Tweeter Material:	Silk Dome/NEO Magnet
Power Handling Max:	200W
Frequency Response:	45Hz - 20kHz
Sensitivity:	92dB @1/W1M
Impedance:	Single 8-Ohm
Crossover:	12dB/Octave Filter Network with Polyswitch
Grille Finish:	White/Paintable
Weight:	3.00 lbs (1.36kg)



Frame Diameter:	10-1/2" (267mm)
Grille Diameter:	10-5/8" (270mm)
Cut-out Hole Diameter:	9-1/2" (240mm)
Mounting Depth:	4-9/16" (116mm)
Magnet Diameter:	3-7/16" (86mm)

R8D Specifications

Woofers Size:	8" (203mm)
Woofers Material:	Polypropylene
Tweeter Size:	1" (25mm)
Tweeter Material:	Silk Dome/NEO Magnet
Power Handling Max:	200W
Frequency Response:	45Hz - 20kHz
Sensitivity:	92dB @1/W1M
Impedance:	Dual 8-Ohm
Crossover:	12dB/Octave Filter Network with Polyswitch
Grille Finish:	White/Paintable
Weight:	3.20 lbs (1.45kg)



Frame Diameter:	10-1/2" (267mm)
Grille Diameter:	10-5/8" (270mm)
Cut-out Hole Diameter:	9-1/2" (240mm)
Mounting Depth:	4-9/16" (116mm)
Magnet Diameter:	3-7/16" (86mm)

10 Year Limited Warranty

Edgeless IQ In-Ceiling (10) year limited warranty:

Earthquake warrants the original purchaser that all Factory Sealed New Audio Products to be free from defects in material and workmanship under normal and proper use for a period of ten (10) years from the date of purchase (as shown on the original sales receipt with serial number affixed/written on it).

The ten (10) year limited warranty period is valid only if an authorized Earthquake dealer properly installs the product and the warranty registration card is properly filled out and sent to Earthquake Sound Corporation. If a non-authorized party installs the product, a ninety (90) day warranty period will be applied.

(A) Ten (10) years limited warranty plan coverage guidelines:

- First year: Earthquake pays for labor, parts, and ground freight (only in US mainland, not including Alaska and Hawaii. Shipping to us is not covered).
- Second to tenth year: Earthquake pays labor only. Customer must pay for parts and freight both ways.

(B) Warning:

- Products (sent in for repair) that are tested by Earthquake technicians and deemed to have no problem will not be covered by the limited warranty. Customer will be charged a minimum of one (1) hour of labor (at ongoing rate) plus shipping charges back to customer.
- Each product sent in for repair must be packaged in its original packaging. Otherwise, repackaging charges will apply in addition to the labor, parts and shipping charges.

(C) Earthquake will repair or replace at our option all defective products/parts subject to the following provisions:

- Defective products/parts have not been altered or repaired by anyone other than an Earthquake factory approved technician.
- Products/parts are not subjected to negligence, misuse, accident or damage by improper line voltage.
- Products/parts were used with incompatible products.
- The serial number or any part of the product has been altered, defaced or removed.
- Products/parts have been used in any way that is contrary to Earthquake's written instructions.

(D) Warranty Limitations:

Warranty does not cover products that have been modified or abused, including but not limited to the following:

- Damages to speaker cabinet and cabinet finish due to misuse, abuse or improper use of cleaning materials/methods.

10 Year Limited Warranty (cont.)

- Bent speaker frame, broken speaker connectors, hole(s) in speaker cone, hole(s) in surround &/ dust cap, and burnt speaker voice coil.
- Fading and/or deterioration of speaker components & finish due to improper exposure to elements.
- Bent amplifier casing, damaged finish on the casing due to abuse, misuse or improper use of cleaning material.
- Burnt tracers on PCB. Product/part damaged due to poor packaging or abusive shipping conditions.
- Subsequent damage to other products.

A warranty claim will not be valid if the warranty registration card is not properly filled & returned to Earthquake with a copy of the sales receipt.

(E) Service Request:

To receive product service, contact Earthquake Service Department at (510) 732-1000 and request an RMA number (Return Material Authorization). Items shipped without a valid RMA number will be refused. Make sure you provide us with your complete/correct shipping address, a valid phone number, and a brief description of the problem you are experiencing with the product. In most cases, our technicians might be able to resolve the problem over the phone, thus eliminating the need to ship the product.

(F) Shipping Instructions:

Product(s) must be packaged in its original protective box(es) to minimize transport damage and avoid repackaging charges. Shipper claims regarding items damaged in transit must be presented to carrier. Earthquake Sound Corporation reserves the right to refuse products that are improperly packaged. A copy of the purchase receipt must accompany product returned for service. We encourage you to include with the package a written description of the problem. Ship product to:

**Earthquake Sound Corp.
2727 McCone Avenue
Hayward, CA 94545
Ph (510) 732-1000**

You are responsible for the cost of shipping the product to Earthquake Sound Corporation.

(G) Disputes Resolution:

All disputes - between clients and Earthquake Sound Corporation - resulting from the ten (10) year limited warranty policy must be resolved according to the laws & regulations of the county of Alameda, California.



The Sound That Will *Move* You

Earthquake Sound reserves the right to amend details of the specifications without notice.

© Copyright Earthquake Sound Corporation
Earthquake Sound Corporation

2727 McCone Avenue, Hayward CA, 94545
Phone: (510) 732-1000 Fax: (510) 732-1095