

The Sound That Will Move You

IW-SUB10/SUB8/SUB6

BIG BASS FROM SHALLOW SPACE



- ✓ **IN-WALL**
- ✓ **IN-FLOOR**
- ✓ **IN-CEILING**



TABLE OF CONTENTS

About Earthquake Sound.....	3
Introduction.....	4
Safety Instructions.....	4
Unpacking System Components.....	4
System Installation Considerations.....	5
Connection Tips.....	5
Specifications.....	5-6
SUB6/SUB8 Installation.....	7
Connecting Your IW-SUB10.....	8
Installing IW-SUB10 (Vertical Mounting).....	9-11
Custom Grille Assembly.....	11-12
Installing IW-SUB10 (Horizontal Mounting).....	13-14
Installing IW-SUB10 (Recessed Mounting).....	15-16
Warranty Guidelines.....	17
For Your Records.....	18

Earthquake Sound Corporation
2727 McCone Ave. Hayward,
CA 94545. USA
Tel: 510-732-1000
Fax: 510-732-1095

Customer Support
Tech @earthquakesound.com
US Toll Free: 800-576-7944
Fax: 510-732-1095

© 2020 Earthquake Sound Corporation. All rights reserved.

This document should not be construed as a commitment on the the part of Earthquake Sound Corporation. The information is subject to change without notice. Earthquake Sound Corporation assumes no responsibility for errors that may appear within this document.

2 Specifications are subject to change without notice



The Sound That Will *Move* You

ABOUT EARTHQUAKE SOUND CORPORATION

For over 30 years, Earthquake Sound has been producing a variety of high quality audio products that have impressed audiophile communities around the world. It all started in 1984 when Joseph Sahyoun, a music freak and Aerospace Engineer unhappy with the existing loud speaker technology and performance, decided to put his advance engineering knowledge to use. He pushed technological boundaries to the limit to create the kind of subwoofer he could live with. Earthquake quickly created a name for itself in the car audio industry and became well known for its powerful subwoofers and amplifiers. In 1997, using his existing expertise in the audio industry, Joseph Sahyoun expanded his company to home audio production.

Earthquake Sound has since evolved into a leader in the home audio industry, producing not only subwoofers and amplifiers but surround speakers and tactile transducers as well. Engineered by audiophiles for audiophiles, Earthquake Sound audio products are meticulously crafted to reproduce each and every single note perfectly, bringing your home theater experience to life. With true dedication and full attention to details, Earthquake Sound engineers continuously develop new and better products to meet customers' needs and go beyond their expectations.

From mobile audio to prosound and home audio, Earthquake Sound has been selected as the winner of many prestigious awards based on sound quality, performance, value and features. CEA and numerous publications have awarded Earthquake Sound with over a dozen design and engineering awards. Additionally, Earthquake Sound has been granted many design patents by the USPO for revolutionary audio designs that have changed the sound of the audio industry.

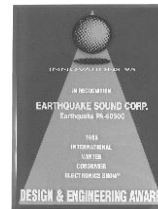
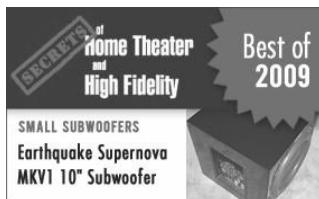
Headquartered in a 60,000 square foot facility in Hayward, California USA, Earthquake Sound currently exports to over 60 countries worldwide. In 2010, Earthquake Sound expanded its export operations by opening a European warehouse in Denmark. This accomplishment was recognized by the US Department of Commerce who honored Earthquake Sound with an Export Achievement award at the 2011 Consumer Electronic Show. Just recently, the US Department of Commerce presented Earthquake Sound with another Export Achievement award for expanding its export operations in China.



Joseph Sahyoun, US Secretary of Commerce Gary Locke, Abraham Sahyoun and Thomas Mygind



US Commercial Officer Sarah Fox and Joseph Sahyoun



INTRODUCTION

Congratulations on your choice of Earthquake Sound's in-wall/in-ceiling series of subwoofers. With the proper installation and operation these subwoofers will provide a lifetime of durability and high-end performance. It is important that you follow all installation and mounting instructions and recommendations in this manual closely and carefully to insure optimal performance, operation, and longevity.

SAFETY INSTRUCTIONS

- 1) Read these instructions in their entirety.
- 2) Store this manual and packaging in a safe place.
- 3) Heed all warnings.
- 4) Follow instructions (do not take short cuts).
- 5) Do not use this apparatus near water.
- 6) Clean only with a dry cloth.
- 7) Do not block any ventilation openings. Install in accordance with the manufacturer's instructions
- 8) Do not install near any heat sources such as radiators, heat registers, stoves, or other apparatuses that produce heat.
- 9) Do not defeat the safety purpose of the polarized or grounding-type plug. A polarized plus has two blades with one wider than the other. A grounding-type plug has two blades and a third grounding prong. The wide blade or the third prong is provided for your safety. If the provided plug does not fit into your outlet, consult an electrician for replacement of the obsolete outlet.
- 10) Protect the power cord from being walked on or pinched, particularly at plugs, convenience receptacles, and the pint where they exit from the apparatus.
- 11) Only use attachments & accessories specified by the manufacturer.
- 12) Use only compatible rack or cart for final resting position.
- 13) Unplug this apparatus during lightening storm or when unused for a long period of time.
- 14) Refer all servicing to qualified service personnel. Servicing is required when the apparatus has been damaged in anyway, such as: power-supply cord or plug is damaged, liquid has been spilled or objects have fallen into the apparatus, the apparatus has been exposed to rain or moisture, does not operate normally, or has been dropped.
- 15) To reduce the risk of fire or electric shock, do not expose this apparatus to rain or moisture.

UNPACKING SYSTEM COMPONENTS

- Keep the original carton and packing materials for future shipment or storage.
- Check for any visual signs of damage. If you encounter any concealed damage, consult your Earthquake Sound dealer before proceeding with unit installation.
- Retain the sales receipt as it establishes the duration of the limited warranty and provides information for insurance purposes.

SYSTEM INSTALLATION CONSIDERATIONS

There are several factors to consider before installing Earthquake Sound's IW-SUB10, SUB6, and SUB8.

- What are the intended listening zones?
- What system options and accessories might be required for features such as local sources, etc.?
- From where in each zone will the listener prefer to control the system? Where will the remote gains be located? Where will the speakers be located?
- Where will the source equipment be located?

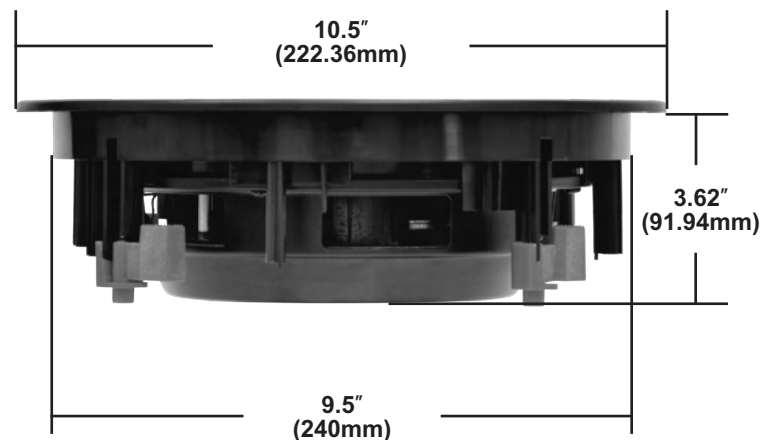
CONNECTION TIPS

- Keep all power cords away from all signal cables to prevent humming from induced noise.
- Choose reliable signal cable cords (Earthquake Sound also specializes in high-performance RCA cables and patches).
- All speaker wires that are ran through the walls should be twisted to reduce potential hum noise pick up.
- Label both ends of all wires with the corresponding room location.
- It is best to use a grounded electrical outlet to power the amplifier. Lack of input ground reference could be unsafe. Consult your electrical contractor about proper grounding.

SPECIFICATIONS

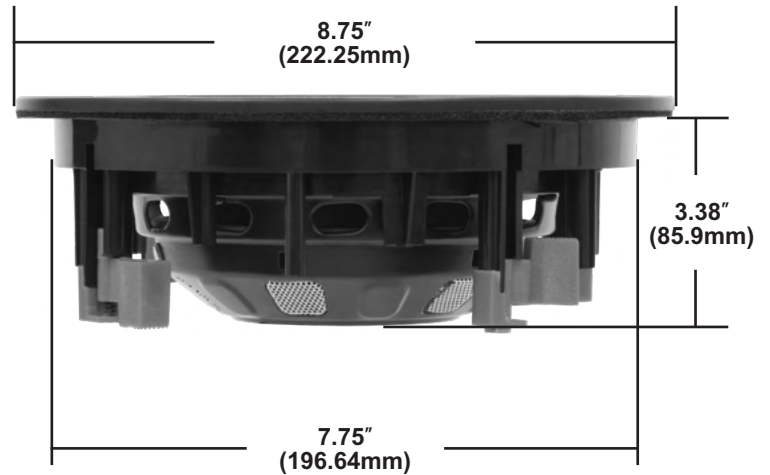
SUB8

Woofer Size	8"
Power Handling	300 Watts MAX
Frequency Response	30Hz–500Hz
Crossover Frequency	100Hz LP 6dB/Oct
Sensitivity	86.7dB
Impedance	8-Ohm
Voice Coil Diameter	1.5" (38.1mm)
Grille Finish	White/Paintable
Weight	5.16 lbs (2.34kgs)
Dimensions WxD	10.5" (267mm) 3.62" (91.94mm)
Cut Out Diameter	9.5" (240mm)



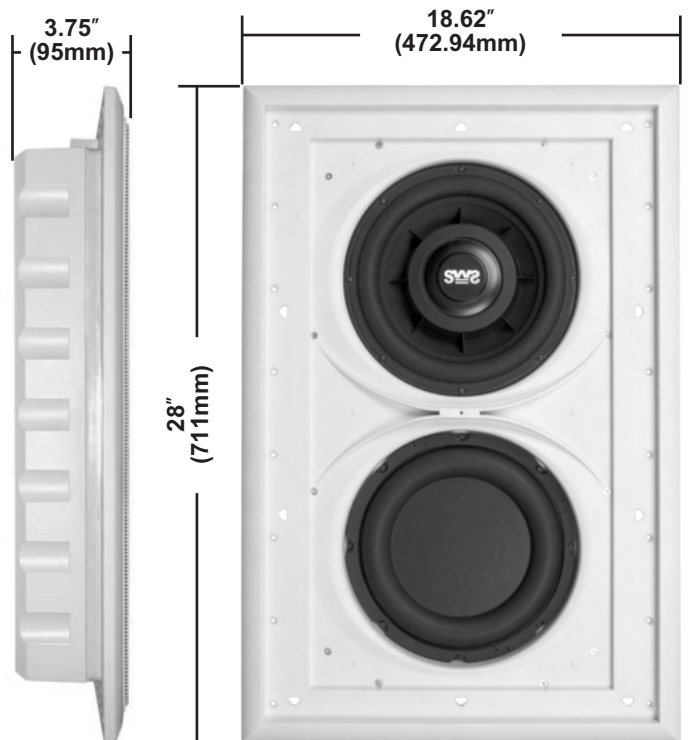
SUB6

Woofer Size	6.5"
Power Handling	150 Watts MAX
Frequency Response	30Hz–1kHz
Crossover Frequency	100Hz LP 12dB/Oct
Sensitivity	86.7dB
Impedance	8-Ohm
Voice Coil Diameter	1" (25mm)
Grille Finish	White/Paintable
Weight	2.46 lbs (1.12kgs)
Dimensions WxD	8.75" (222.25mm) 3.38" (85.9mm)
Cut Out Diameter	7.75" (196.64mm)

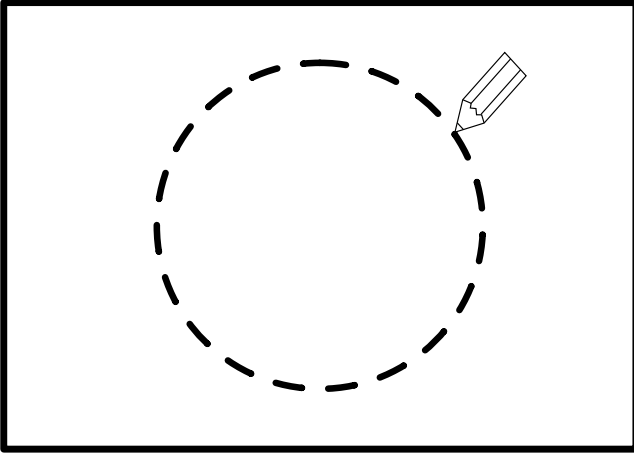


IW-SUB10

Woofer Size	10" Active & Passive
Power Handling	400 Watts MAX
Frequency Response	80Hz–160Hz
Sensitivity	89dB
Impedance	4-Ohm
Grille Finish	White/Paintable
Weight	22.5 lbs (10.20kgs)
Dimensions HxWxD	28" (711mm) 18.62" (472.94mm) 3.75" (95mm)
Cut Out Dimension HxW	24" (610mm) 13.75" (349mm)



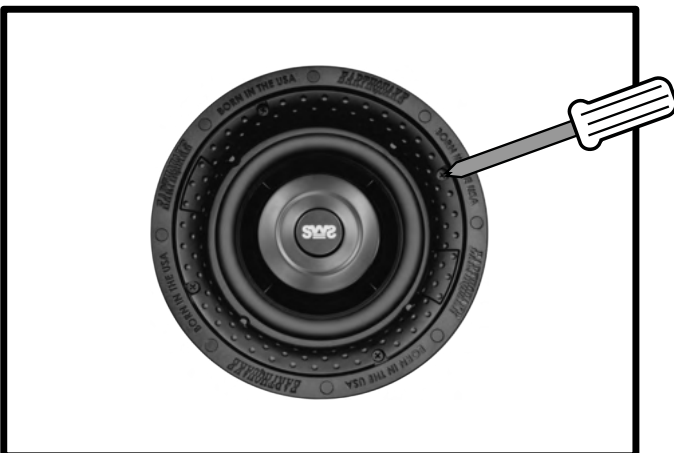
INSTALLATION SUB6/SUB8



1. Locate and mark the wall studs. Draw your cut out hole using the provided cut out dimensions found in the specifications section of this manual. Cut out the opening for your SUB6/SUB8.



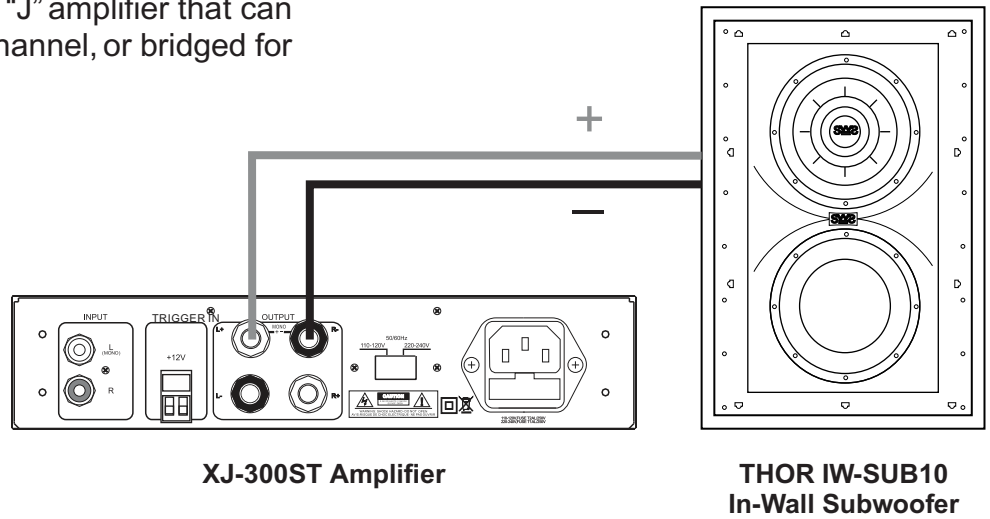
2. Connect speaker wires to the terminals on the back of the SUB6/SUB8.



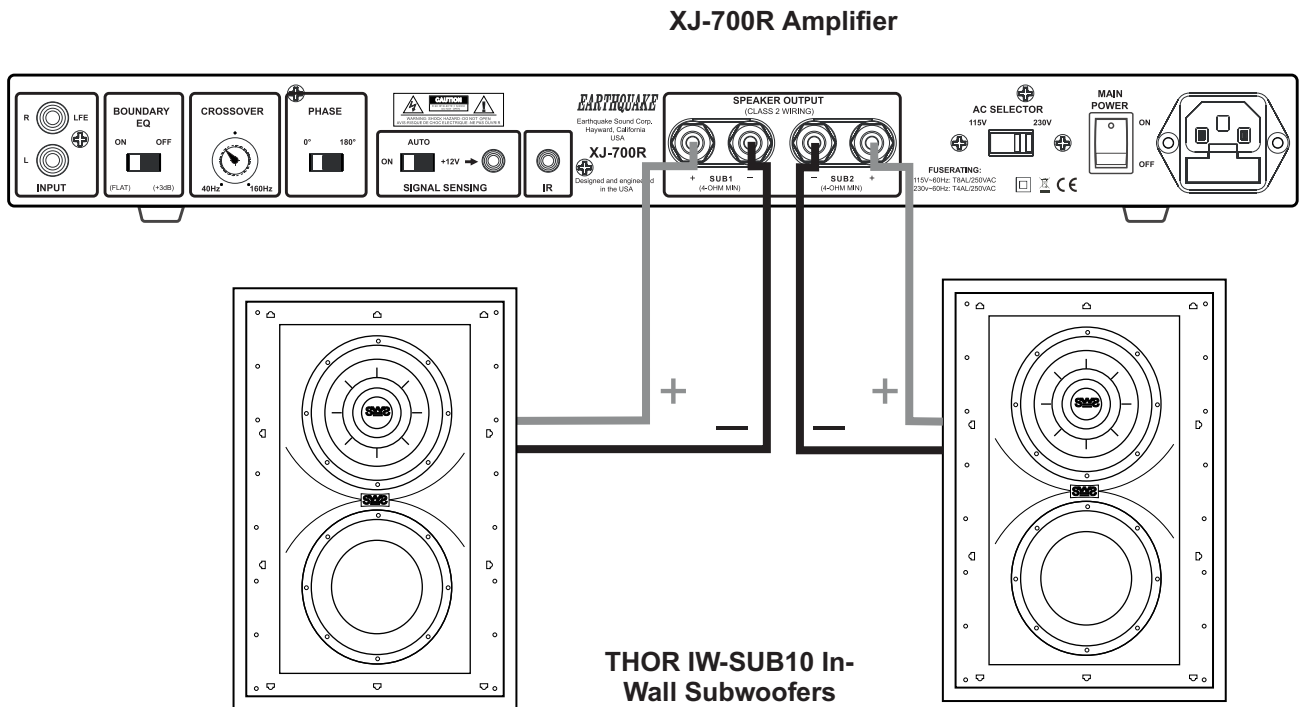
3. Mount the subwoofer by utilizing the Turn-N-Lock™ installation mechanisms. Position the subwoofer into place and use a phillips head screwdriver to tighten the screws evenly to secure the subwoofer to the wall.

CONNECTING YOUR IW-SUB10

Earthquake Sound's XJ-300ST amplifier is recommended for the use of one THOR. The XJ-300ST amplifier is a 300 Watts Class "J" amplifier that can be used as a mono block, 2-channel, or bridged for a 2.1 channel amplifier.



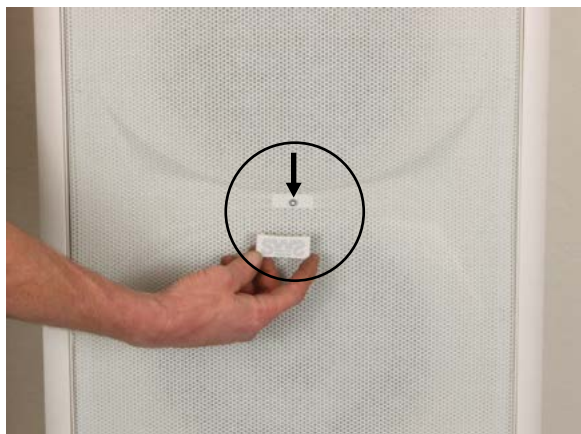
Earthquake Sound's XJ-700R amplifier is recommended for connecting two THOR IW-SUB10 subwoofers. The XJ-700R is rack mountable LFE Mono Block 700 Watts Class J amplifier.



INSTALLING IW-SUB10

GRILLE REMOVAL

STEP 1



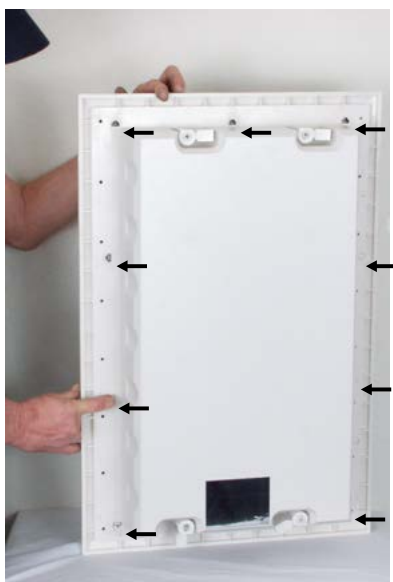
Carefully remove the logo from the grille to expose the fastener hex nut.

STEP 2



Remove the fastener using the provided hex key/Allen wrench. Make sure you perform this step first before removing the grille otherwise you will damage it.

STEP 3



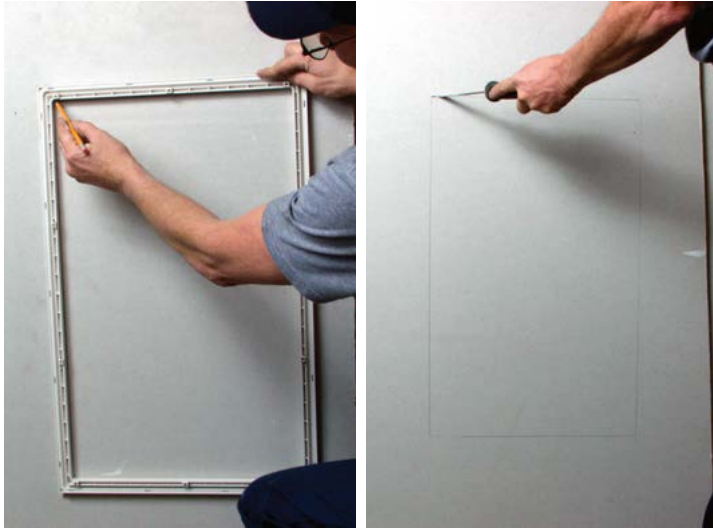
Remove the grille by using your fingers to push out the prongs from the back side of the unit. Push out all prongs and the grille will simply fall out. Once the grille is removed you are now ready to prepare the wall for installation.



INSTALLING IW-SUB10

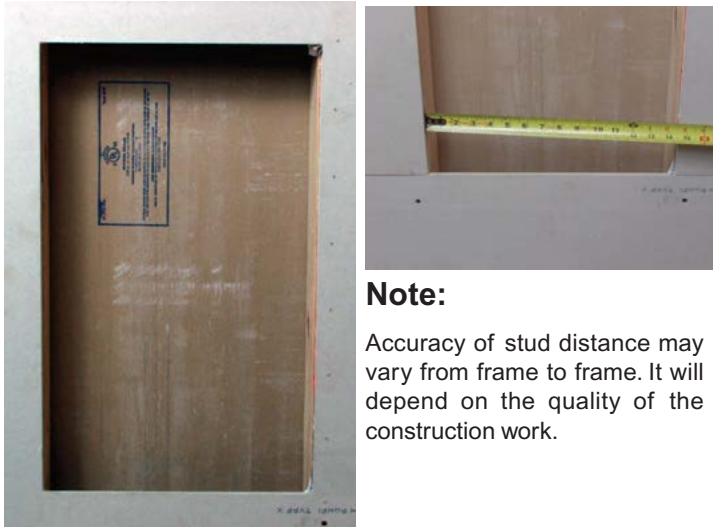
IN-WALL VERTICAL

STEP 1



To begin you will need to locate the empty grille frame. Use your stud finder to locate the studs (if you are not retrofitting). Using the empty frame, trace your cut line with a pencil. Once you are satisfied with your cut line, begin your cut using a sheet rock saw.

STEP 2

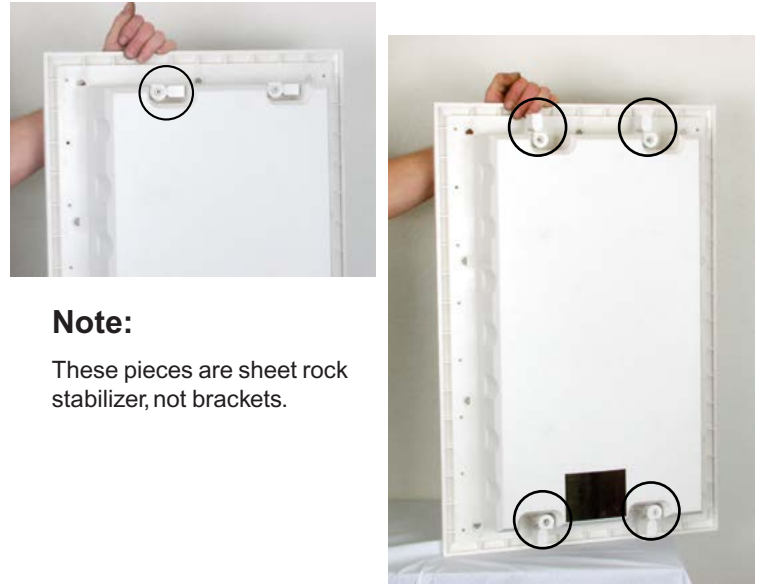


Note:

Accuracy of stud distance may vary from frame to frame. It will depend on the quality of the construction work.

When the cut out is complete, it should look similar to the image. Most of the work performed here is installer common sense, please use it.

STEP 3



Note:

These pieces are sheet rock stabilizer, not brackets.

In the first image to the left you will notice the fastener/dogear in its neutral position. This is how it is packed. You will need to turn all fasteners outward so that they can be clamped to the sheet rock. You will tighten them from the front once you have fastened the THOR to the studs.

STEP 4



Once you have fed all wiring and connected it, slip the THOR in the wall making sure that the sheet rock stabilizers are in the correct position.

Begin Placing screws inside holes directly into the stud from the front. Once you have inserted all screws snug and securely, tighten the fasteners.

INSTALLING IW-SUB10

STEP 5



This procedure is extremely important: Tighten the dogears by fastening the screws which are located at the top of the active driver and the bottom of the passive driver. If you forget to do this the sheet rock will not be secured and the fasteners will be loose and will rattle.

STEP 5



Congratulations! You have successfully installed the world's most effective, efficient, and down right loud in-wall subwoofer ever made. The grille that you use is totally up to you and can be matched to fit any decor. (See following pages for custom cloth grille instructions).

CUSTOM GRILLE ASSEMBLY

STEP 1



Cut your desired cloth two inches bigger than the frame on all sides. We have provided cloth that can be used, but feel free to use different colors or textures.



Make sure that you have two inches of excess cloth around all sides of the frame.

STEP 2



Cut your desired cloth two inches bigger than the frame on all sides. Remember that this is a custom grille so whatever color or texture of cloth you choose, it will work for your application.

STEP 3



Wrap cloth over prongs and make a small incision on cloth over prongs. Push prongs through the cloth. Complete this process with every prong on the frame.

CUSTOM GRILLE ASSEMBLY

STEP 4



Wrap cloth around frame and put into place with provided security ring.

STEP 5



Once you have the cloth in place with the security ring, push the ring enough to keep it in place through the groove with cloth underneath.

STEP 6



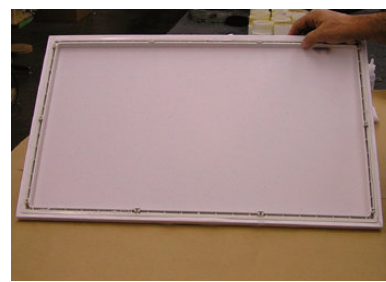
Now that you have pressed the security ring in by hand, use your rubber mallet to finish securing it completely in the gap.

STEP 7



With the security ring in place, you can begin cutting excess cloth from the inner ring. Use extreme caution when cutting the excess cloth.

STEP 8



This is what the inside of your grille should look like. Pouring a quick drying glue over the ring and in the space around where the cloth is will add more support and provide a hard shell.

STEP 9



This is what your finished product should look like on and off of the subwoofer.

STEP 10

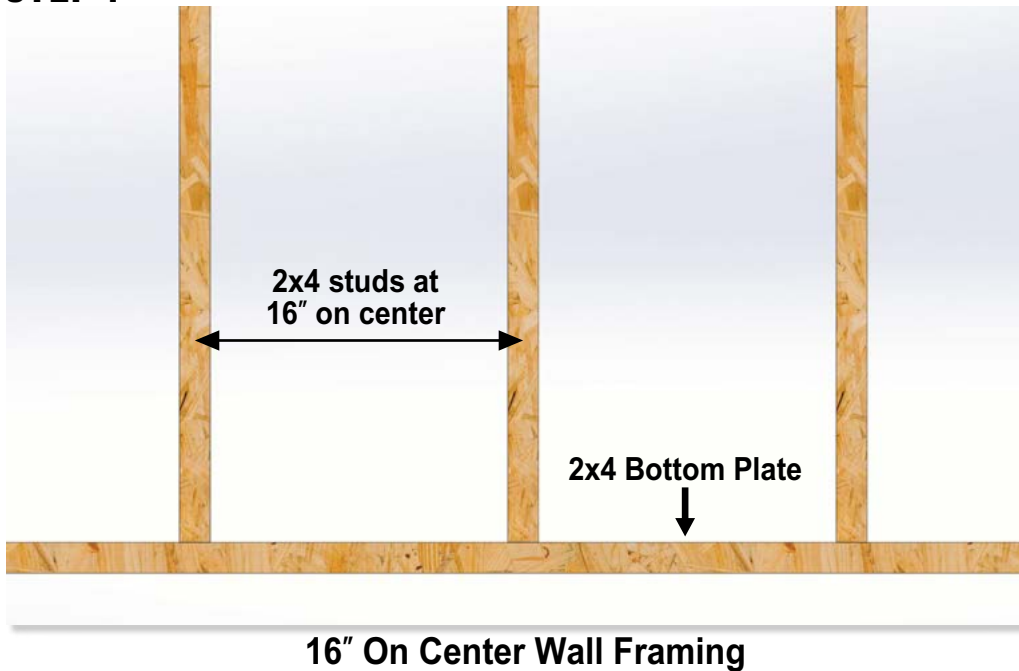


When you have completed the project you simply push the grille into the front of the in-wall subwoofer gently (use the rubber mallet if needed).

INSTALLING IW-SUB10

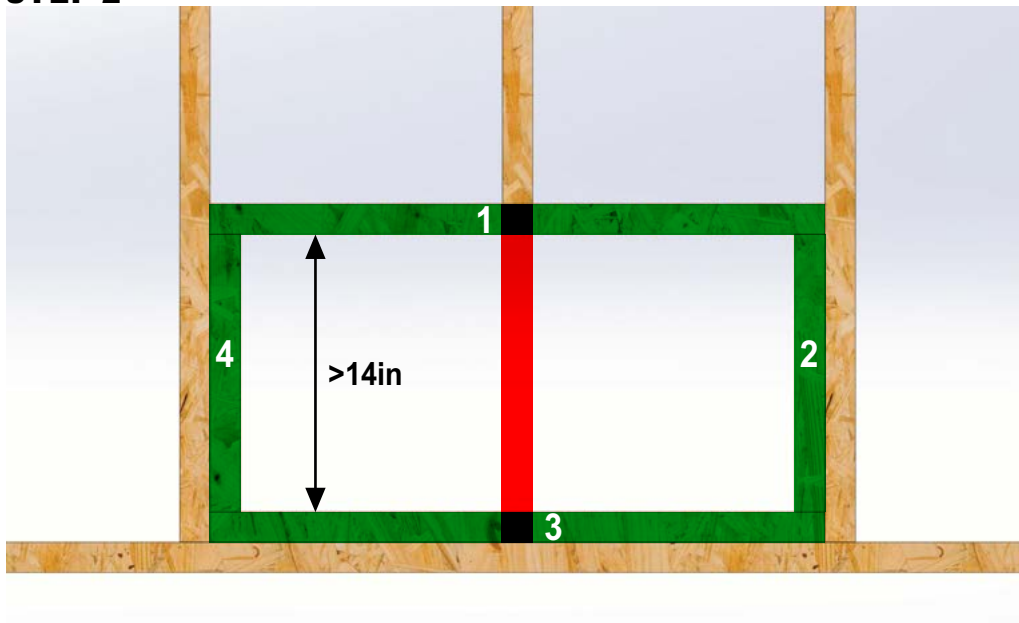
IN-WALL HORIZONTAL

STEP 1



The IW-SUB10 can be mounted in a horizontal position. Use the following steps below to help as a guide. Note that not all wall framing is created exactly the same. The illustrations here show an installation of 2x4 wall framing with wall studs at 16 inches on center. Be advised that if you have floor moulding or trim in your home, make sure that you account for this before making the cut out in the dry-wall. Depending on the height of the moulding, you will need add one or more 2x4s to buildup the bottom plate of the wall frame.

STEP 2

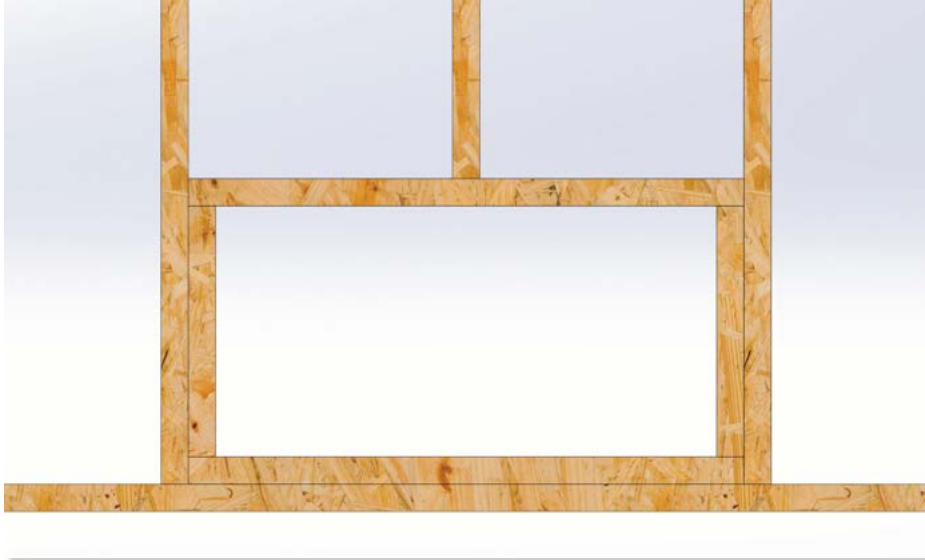


The IW-SUB10 will take up a length of three wall studs. Locate where your middle stud will be. This will be the mid-point of where the subwoofer will be mounted horizontally. After creating the cutout in the wall, there will be a stud in the center of the cutout. Remove the lower section of the center stud and ensure that there will be at least 14 inches between members (1) and (3). Removing a section of the middle stud is necessary to create an inner frame in which the subwoofer will be mounted to. After removing the center stud, an additional 2x4 must be added and fastened to

all three studs as denoted by (1) in the image. After fastening member (1), cut 2x4s and orient as shown in members (2) and (4) leaving at least 14 inches between members (1) and (3). After fastening members (2) and (4) to member (1) and the outer studs, add at least one 2x4 and orient to match member (3). Please note that a distance of 3 inches between the floor and outer edge of the THOR is required. On some houses an additional 2x4 may be required to clear floor trim, in this case, add an additional 2x4 orienting the same as member (3).

INSTALLING IW-SUB10

STEP 3



Once you have rebuilt the wall framing you are now ready to install the IW-SUB10.

STEP 4



Once you have fed all wiring and connected it, slip the THOR in the wall making sure that the sheet rock stabilizers are in the correct position.

Begin Placing screws inside holes directly into the stud from the front. Once you have inserted all screws snugly and securely, tighten the fasteners.

STEP 5



Tighten the dogears by fastening the screws which are located at the top of the active driver and the bottom of the passive driver. If you forget to do this step the sheet rock will not be secured and the fasteners will be loose and will rattle. The installation is complete and the grille can then be attached to the IW-SUB10.

INSTALLING IW-SUB10

RECESSED MOUNTING FOR 2X6 STUDS

STEP 1

Check that distance between studs is at least 14 inches.

STEP 2

Cut sheetrock opening for THOR. The opening should be at least 28 inches tall and the distance between the studs as the width.

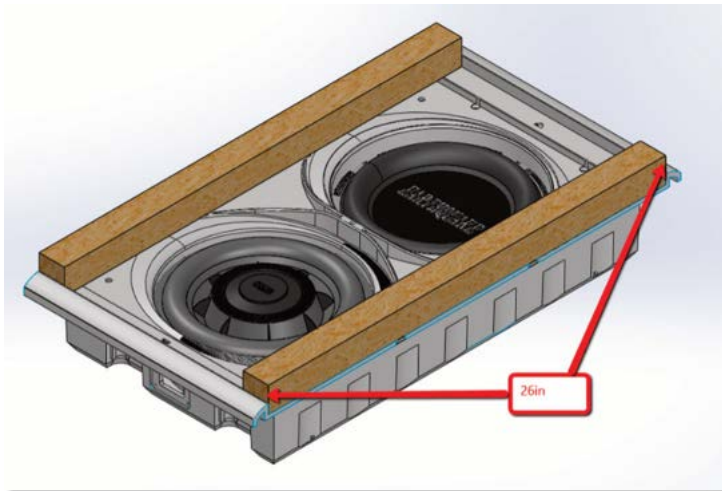
STEP 3

Cut THOR housing down to width of distance between studs (typically ~14.5in) and verify fitment inside wall.

STEP 4

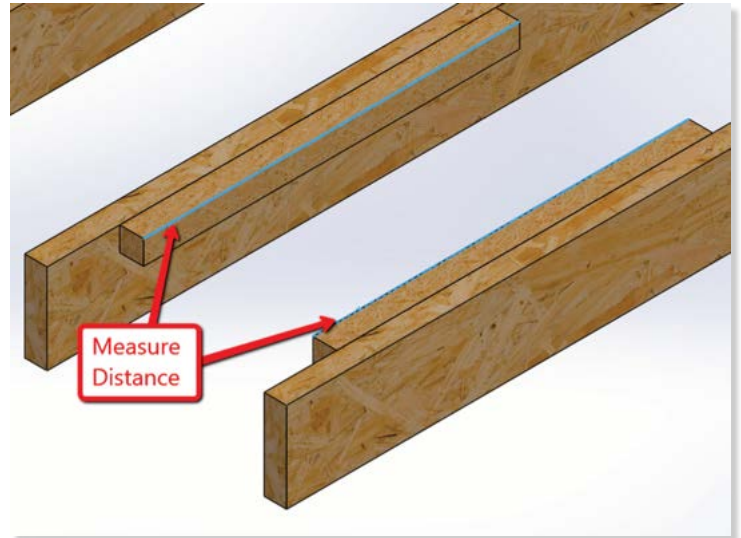
Cut two 2x2's down to the between the lips of the THOR, 26 inches as shown below.

Note: Earthquake Sound recommends constructing the wooden frame with the THOR removed from wall or floor.



STEP 5

Take both 2x2's that were cut in the previous step and insert them into the opening in the sheetrock and hold them on each of the two studs in order to measure the distance between them when they will be fastened to the studs as shown below.

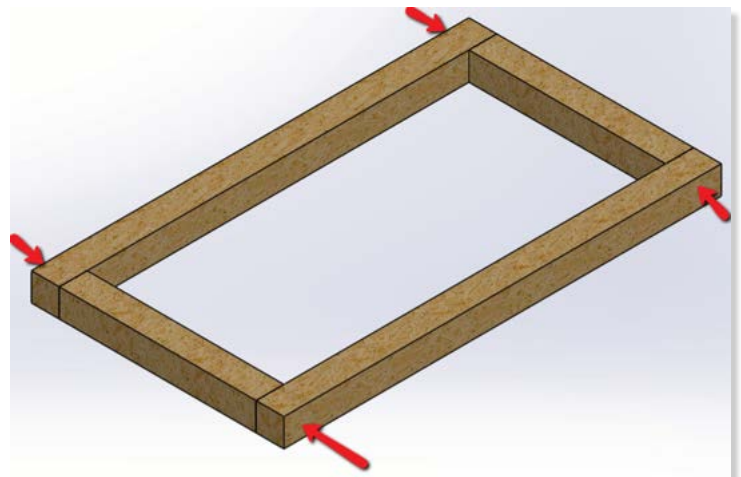


STEP 6

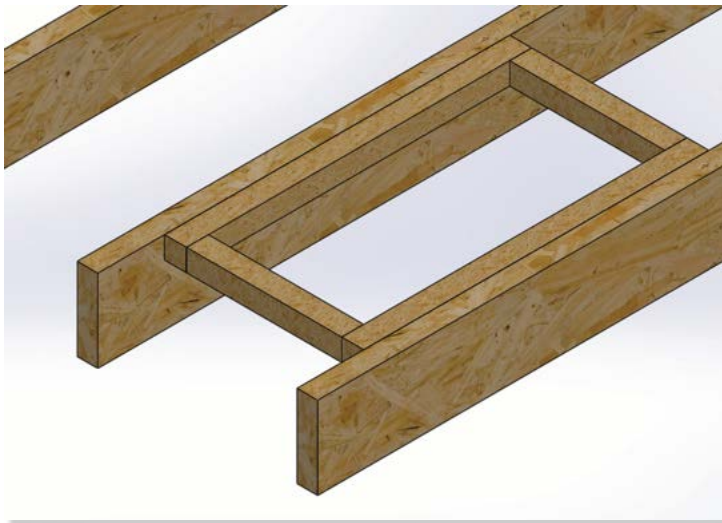
The next smaller two 2x2's to be cut will act as a variable length to ensure that proper contact between the long 2x2's and the 2x6 studs is achieved. Cut 2x2's to measurement taken in the previous step.

STEP 7

Fasten the short 2x2s to the long ones at each of the four corners along the arrows in the image below. Insert the frame into the wall and verify fitment and ensure that there is no gap between the 2x6 and the 2x2s. Please see images below for reference.

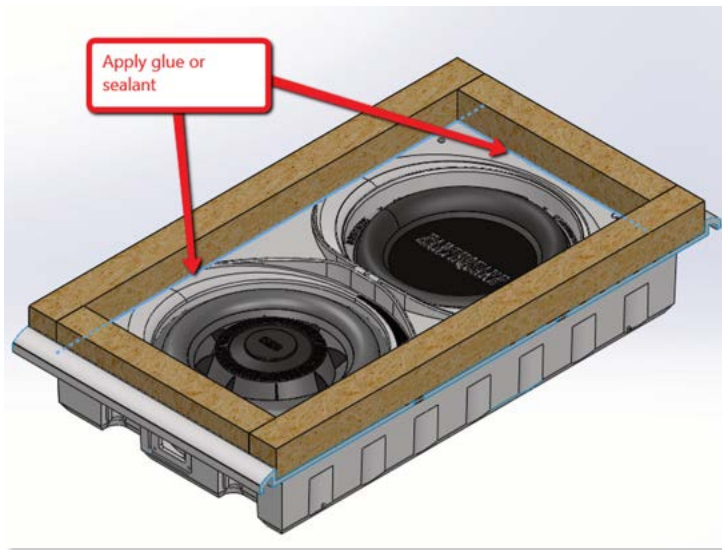


INSTALLING IW-SUB10



STEP 8

Remove frame from the wall or floor and place the frame on the THOR. At this point it is recommended to add sealant or glue on the 2x2 where it is in contact with the THOR as shown below.



STEP 9

Next, fasten the wooden frame to the THOR from the back side of the THOR. Earthquake recommends at least 6 fasteners, 3 on the top, 3 on the bottom of the THOR as seen in the image below. The red squares denote where the fasteners should be.

Caution: Ensure that no damage is caused to the terminal on the THOR.

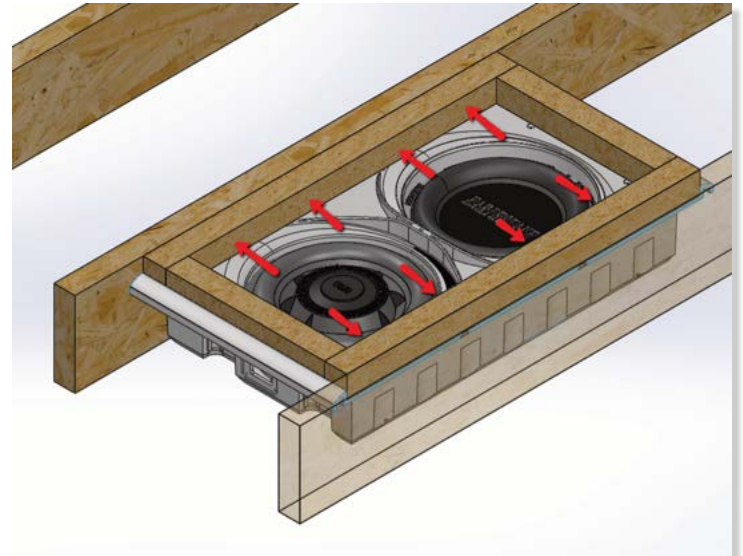
STEP 10

Once frame has been fastened to the THOR, place the THOR with the frame inside the wall. Verify that the 2x2's sit flush with the 2x6 studs and the back face of the sheetrock, trim if needed.

STEP 11

Fasten long 2x2 wooden members to the wall studs along arrows shown below.

Caution: If space to fasten is limited, Earthquake Sound recommends driver removal to avoid damage to driver.



Earthquake Sound recommends at least four fasteners between each 2x2 and 2x6.

STEP 12

Any additional sealant can be applied at this point at any openings along the 2x2. If accurate cuts are made, little to no sealant can be applied.

STEP 13

A heater register/grille may also be added as a port to the room.



5 YEAR LIMITED WARRANTY INFORMATION

Earthquake warrants the original purchaser that all **Factory Sealed New Audio Products** to be free from defects in material and workmanship under normal and proper use for a period of five (5) years from the date of purchase (as shown on the original sales receipt with serial number affixed/written on it).

The five (5) year limited warranty period is valid only if an authorized Earthquake dealer properly installs the product and the warranty registration card is properly filled out and sent to Earthquake Sound Corporation. If a non-authorized party installs the product, a ninety (90) day warranty period will be applied.

(A) Five(5) years limited warranty plan coverage guidelines:

First year: Earthquake pays for labor, parts, and ground freight (only in US mainland, not including Alaska and Hawaii. Shipping to us is not covered).

Second, third, fourth & fifth year: Earthquake pays labor only. Customer must pay for parts and freight both ways.

(B) Warning:

Products (sent in for repair) that are tested by Earthquake technicians and deemed to have no problem will not be covered by the limited warranty. Customer will be charged a minimum of one (1) hour of labor (at ongoing rate) plus shipping charges back to customer. Each product sent in for repair must be packaged in its original packaging. Otherwise, **repackaging charges will apply in addition to the labor, parts and shipping charges.**

(C) Earthquake will repair or replace at our option all defective products/parts subject to the following provisions:

- Defective products/parts have not been altered or repaired by anyone other than an Earthquake factory approved technician.
- Products/parts are not subjected to negligence, misuse, accident or damage by improper line voltage.
- Products/parts were used with incompatible products.
- The serial number or any part of the product has been altered, defaced or removed.
- Products/parts have been used in any way that is contrary to Earthquake's written instructions.

(D) Warranty Limitations:

Warranty does not cover products that have been modified or abused, including but not limited to the following:

- Damages to speaker cabinet and cabinet finish due to misuse, abuse or improper use of cleaning materials/methods.
- Bent speaker frame, broken speaker connectors, hole(s) in speaker cone, hole(s) in surround &/ dust cap, and burnt speaker voice coil.
- Fading and/or deterioration of speaker components & finish due to improper exposure to elements.
- Bent amplifier casing, damaged finish on the casing due to abuse, misuse or improper use of cleaning material.
- Burnt tracers on PCB.
- Product/part damaged due to poor packaging or abusive shipping conditions.
- Subsequent damage to other products.

A warranty claim will not be valid if the warranty registration card is not properly filled & returned to Earthquake with a copy of the sales receipt.

(E) Service Request:

To receive product service, contact Earthquake Service Department at (510) 732-1000 and request an RMA number (Return Material Authorization). Items shipped without a valid RMA number will be refused. Make sure you provide us with your complete/correct shipping address, a valid phone number, and a brief description of the problem you are experiencing with the product. In most cases, our technicians might be able to resolve the problem over the phone, thus eliminating the need to ship the product.

(F) Shipping Instructions:

Product(s) must be packaged in its original protective box(es) to minimize transport damage and prevent repackaging cost (at the ongoing rates). Shipper claims regarding items damaged in transit must be presented to carrier. Earthquake Sound Corporation reserves the right to refuse improperly packed product. Original bill of sale must accompany product returned to service. We encourage you to include with the package a written description of the problem. Ship product to:

Earthquake Sound Corp.
2727 McCone Avenue, Hayward, CA 94545
Tel: (510) 732-1000

You are responsible for the cost of shipping the product to Earthquake Sound Corporation.

(G) Disputes Resolution:

All disputes between clients and Earthquake Sound Corporation resulting from the five (5) year limited warranty policy must be resolved according to the laws & registration of the county of Alameda, California.

FOR YOUR RECORDS

Date of Purchase: _____

Authorized Dealer/Installer Info:

Name: _____

Address: _____

Phone: _____

Serial Number:

Notes



The Sound That Will *Move* You

Earthquake Sound Corporation
2727 McCone Avenue. Hayward, CA 94545. USA
US Toll Free: 1-800-576-7944
www.earthquakesound.com

Earthquake Sound reserves the right to amend details of the specifications without notice
© Copyright Earthquake Sound Corporation