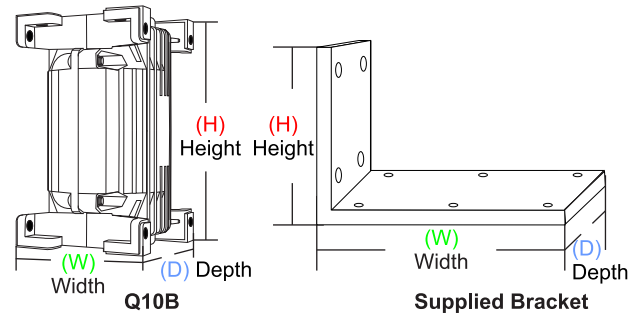


Q10B

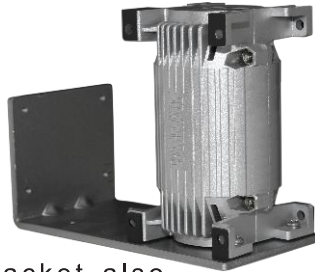
Quake Patented Tactile Transducers

Model:
Q10B



	Q10B	Supplied Bracket
(H) Height	6-3/16" (158mm)	3-3/4" (95mm)
(W) Width	3-9/16" (90mm)	8-1/8" (207mm)
(D) Depth	3-9/16" (90mm)	3-15/16" (100mm)

Each comes complete with mounting bracket and screws



S-Shaped bracket also available (model no. PB-1)
MSRP @ \$59/pc

OBJECTIVE

Q10B, part of the Quake Series of Tactile Transducers, is an awe-inspiring sub harmonics unit designed for special effects enhancement. You can now add super sensitive low frequency effects without using costly hydraulics or a bulky and expensive subwoofer.

Designed for superior music quality, the Q10B answers to the need for both accurate low-frequency response and maximum tactile effect in your home or car.

One (1) Q10B bass shaker can easily replace three, four or even five typical shakers. Moving two or three theater seats or even a sizeable platform is an easy task for the Q10B.

With only one (1) moving part and a cast aluminum heat-sink for excellent heat dissipation and protection from damage, the Q10B is maintenance free and practically indestructible.

INTENDED USE

- ✓ Home Theater & 2-Channel Music Systems
- ✓ Sofas, Recliners, Theater Seats, Gaming Chairs, Rotating Chairs, Drum Thrones, etc.
- ✓ Simulations, Augmented Reality (AR), and Virtual Reality (VR)
- ✓ Contractors, Custom Installers, and Retailers
- ✓ Mobile Audio Applications

SPECIAL FEATURES & HIGHLIGHTS

- Tactile performance all the way down to 5Hz
- Enhanced low frequency extension for home theater 5.1 and 2-channel music systems
- Patented designs exclusive to Earthquake
- Platform mounting for expanded applications
- Flat wire aluminum voice coil
- Thermal protection
- Rugged cast aluminum heat sink

SPECIFICATIONS

Q10B	
Frequency Response	5 - 40Hz
Power Handling	Up to 1000 Watts
Impedance	8-Ohm
MSRP	\$599.00/pc