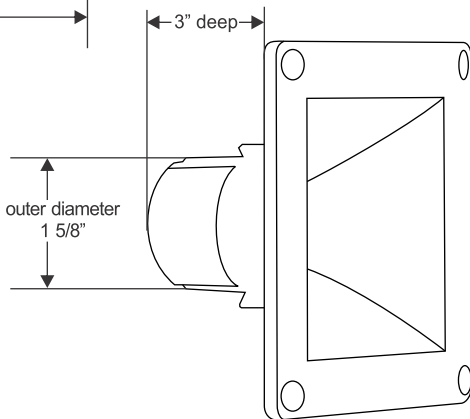
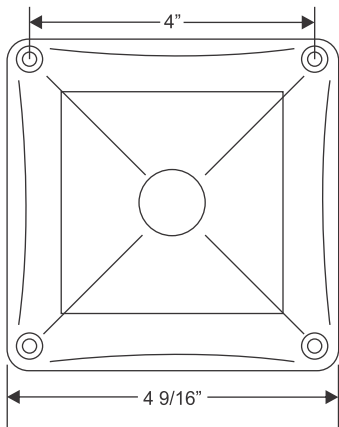


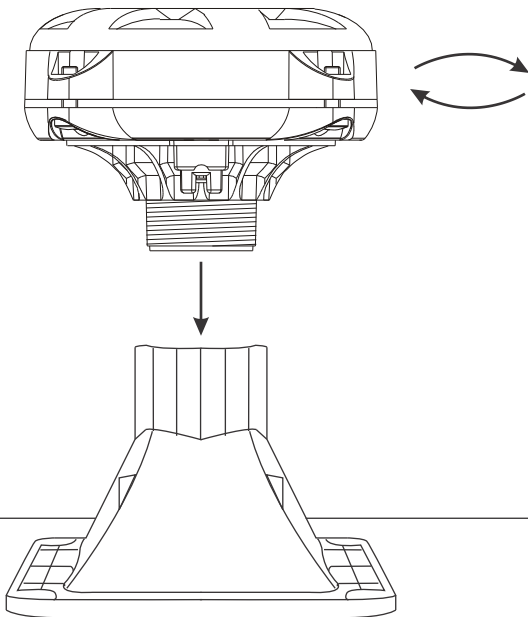
# EQH-1125

## MATCHING HORN



## ATTACHING HDX2 (DRIVER) TO EQH-1125 (HORN)

- 1) Place the EQH-1125 Horn facing downward onto a flat, hard surface.
- 2) Take the HDX2 Driver and carefully twist into the Horn. Hold the Horn down firmly with one hand while twisting the Driver in with the other hand.
- 3) Make sure the Driver screws evenly and at a level angle.



Consider using a protective mat as to not damage the horn