



Earthquake Tactile Transducers



Q10B

MQB-1

Installation Manual

By now, you may have some knowledge about Tactile Transducers. To help clarify this application further, please read on:

What is a Tactile Transducer?

A tactile transducer or "bass shaker" is a device which is made on the principle that low bass frequencies can be felt as well as heard. A shaker transmits low-frequency vibrations into various surfaces so that they can be felt by people. This is called tactile sound. Tactile transducers may augment or in some cases, substitute for a subwoofer.

Tactile transducers may be used in a home theater, a commercial movie theater, or for special effects in an arcade game, amusement park ride or other application.

In Home Theater and Music Applications:

A surround sound audio system complements a video action movie by responding to the events that are unfolding on the screen. The surround sound extends from 30 Hz (if you are lucky) and up to 20Khz. For the most part, it is the low frequency response that brings you closer to the action. A tactile transducer system will tap into the low frequency signal that is emanating for LFE output, which is typically located in the back of your receivers. This signal is amplified through a resilient power amplifier and then used to drive the tactile transducer; Thus, picking up and enhancing everything your subwoofer lacks.

In Gaming Applications:

Tactile transducers are an explosive way to generate massive vibration, which brings players into the video game. Mounting an MQB-1 in a gamer seat will lead to an incredible interactive experience unlike any other.

Earthquake® Tactile Transducers Basic Information

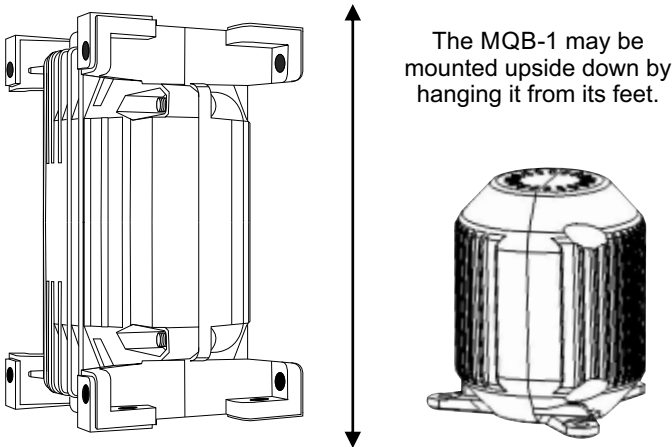
In Music Applications:

Music recording can be immensely enhanced by allowing musicians (drummers in particular) who rely on sound and impact to literally feel their progress while recording. Now, musicians can rely on tactile transducers to transmit vibrations through their seats. This vibration allows them to feel the beat more naturally and confidently synchronize it with others in the band.

Mounting Quake Tactile Transducers

The Earthquake® Q10B and MQB-1 need to be mounted vertically at all times. Mounting them vertically maximizes the output and increases the over all tactile experience.

Horizontally mounting the units will diminish the output and may damage them over time.



Patent No: US 7,449,803 B2
US 7,768,160 B1
US 7,859,144 B1

Connecting Earthquake® Tactile Transducers

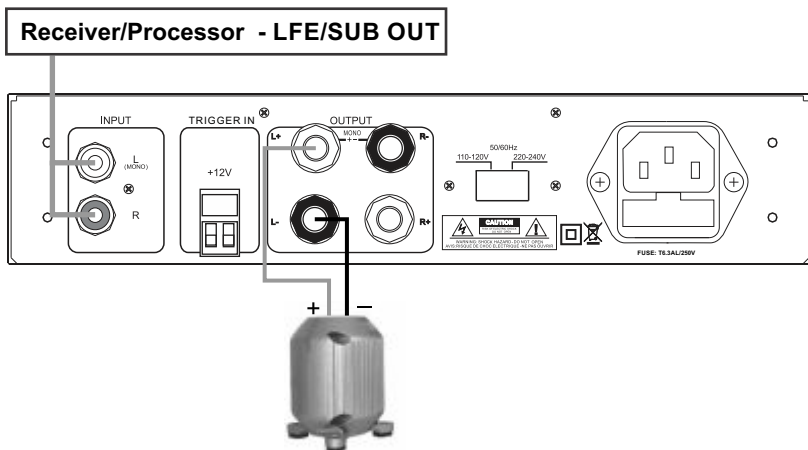
Tools/supplies that will be needed for installation:

- ✓ 16 to 12-gauge speaker cable
- ✓ a pair of pliers
- ✓ a powered screw driver
- ✓ measure tape
- ✓ two (2) wing nut wire connectors or electrical tape

Connecting 1 MQB-1 to an XJ-300ST amplifier

NOTE: Make sure the amplifier's front toggle switch is set to "LOWPASS" prior to connecting the tactile transducers.

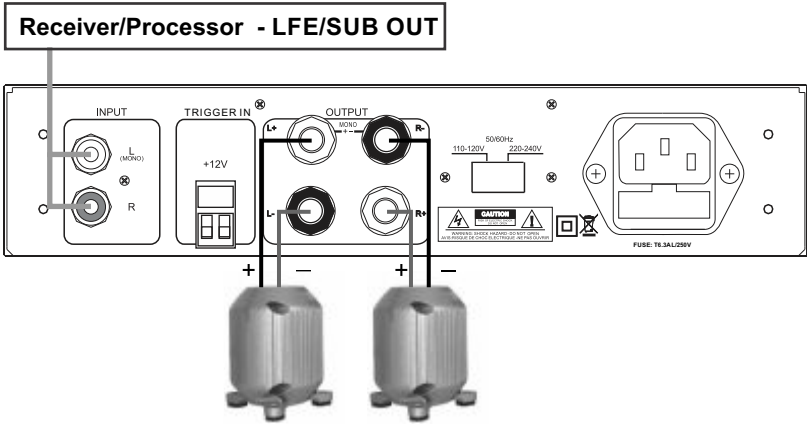
WARNING Do not wire 1 MQB-1 with the mono bridge setting. Use either the Left or Right speaker output.



Connecting Earthquake® Tactile Transducers

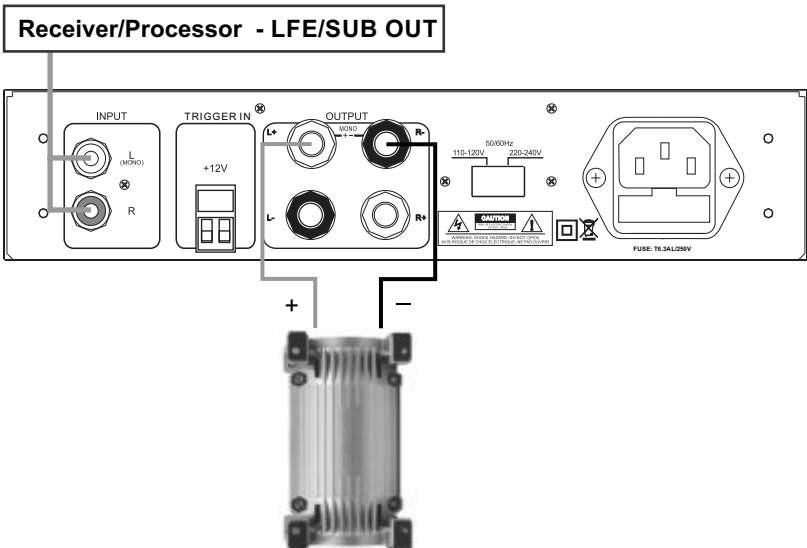
Connecting 2 MQB-1 to an XJ-300ST amplifier

NOTE: Make sure the amplifier's front toggle switch is set to "LOWPASS" prior to connecting the tactile transducers.



Connecting 1 Q10B to an XJ-300ST amplifier

NOTE: Make sure the amplifier's front toggle switch is set to "LOWPASS" prior to connecting the tactile transducers.



Installing/Mounting Earthquake® Tactile Transducers

Applications:

- ✓ Sofas
- ✓ Theater seats
- ✓ Recliners
- ✓ Gaming Chairs

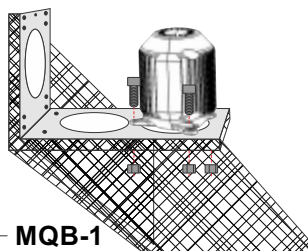
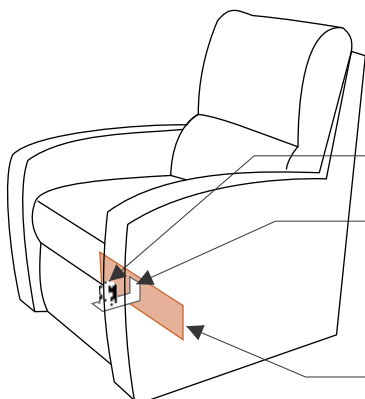
Type of Mounting:

- ✓ Direct
- ✓ Multiplier
- ✓ Internally
- ✓ Externally

Enhancements To:

- ✓ Musical Enjoyment
- ✓ Home Cinema/Theater
- ✓ Gaming Experience
- ✓ Recording Studio

Mounting the MQB-1 to Seating Directly

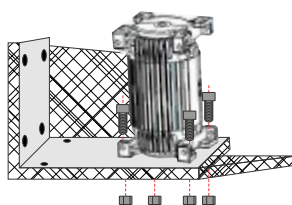
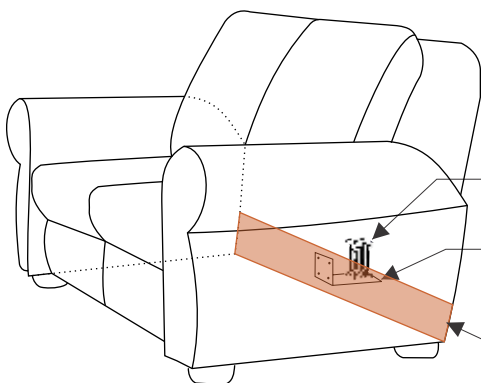


MQB-1

**MQB-1
Mounting Bracket**

**Strongest Joist / Brace
in Sofa or Chair**

Mounting the Q10B to Seating Directly



Q10B

**Q10B
Mounting Bracket**

**Strongest Joist / Brace
in Sofa or Chair**

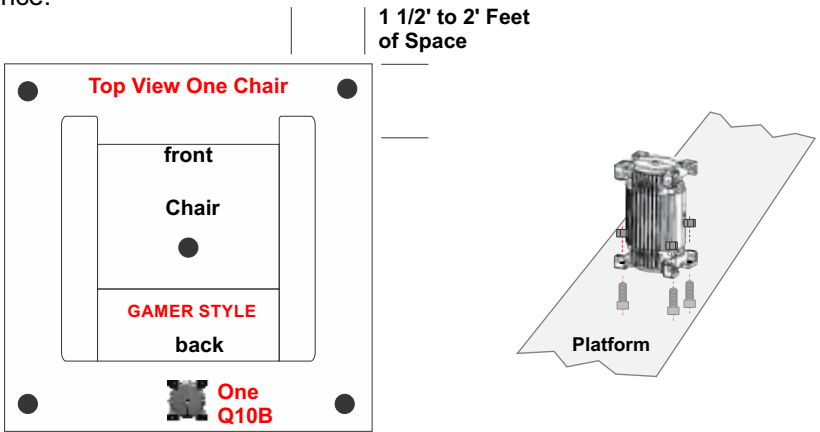
Installing/Mounting Earthquake® Tactile Transducers

Mounting the Q10B to a Platform

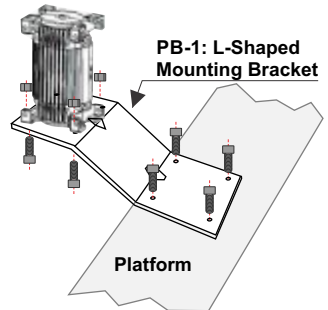
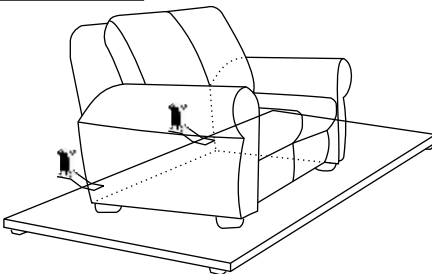
When designing your custom platform, be sure to allow 1-1/2 to 2 feet of space around the outer perimeter of the chairs or couch. This much space is not required in between the chairs.

All platforms should be constructed with no less than 1/2" plywood and built sturdy for some seriously high speed entertainment. Also, the use of rubber stabilizers is an excellent way to eliminate rattles and vibrations that may cause valuables to fall off the walls or shelves. In addition, the rubber feet will provide a great suspension, allowing the Q10B to really shine.

The optional Platform Mount Multiplier can be installed underneath or inside couches or chairs as in previous illustrations, but it is more effective when mounted directly to the platform. Once the Multiplier is mounted to the platform, you may then move a chair or couch over it for a more plush cosmetic appearance.



Typical Two Chair Setup



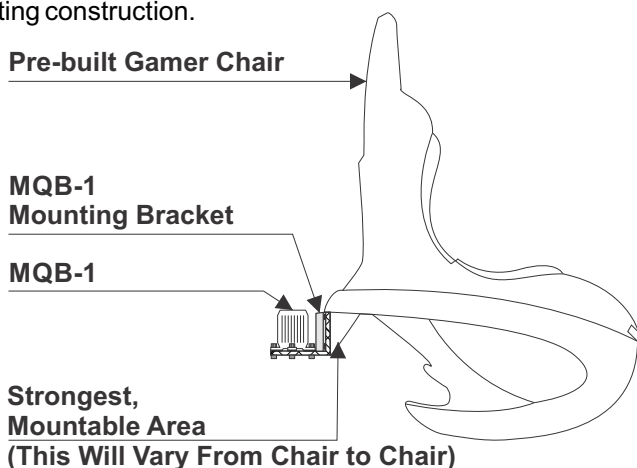
Installing/Mounting Earthquake® Tactile Transducers

Mounting the MQB-1 to Gaming Chair

Pre-built gaming chairs come in all different shapes and sizes. The illustration to the right is only a demonstration on how you may install a MQB-1 to this type of application.

Always be sure that what you are mounting the bracket to is very solid and won't pierce any pre-existing wiring or damage the chair's upholstery.

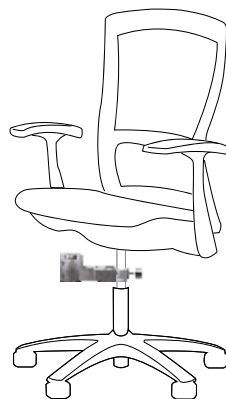
In addition, please keep in mind that the MQB-1 is very powerful and will deteriorate poorly constructed chairs, thrones, etc. You may even need to modify existing construction.



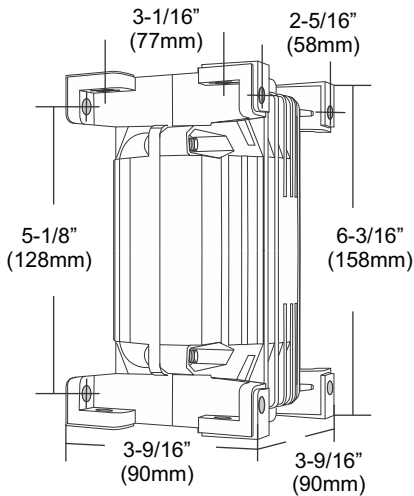
Mounting to Office Chair or Throne

For rotating office chair or throne, we suggest using the **Shell Shoxx** system which includes the **MQB-XX** shaker and **300-XX**, a matching 300-watt max amplifier. This gaming set is the ultimate gaming accessory and brings 3D Motion™ to any set-up.

The MQB-XX is a patented shaker that converts low frequencies into powerful vibrations. It is optimized to clamp onto virtually any office chair; however, can be clamped onto an ordinary chair leg or couch structure as well. The MQB-XX is powered by our 300-XX, an amplifier specifically designed for our shaker.



Earthquake® Tactile Transducers Specifications

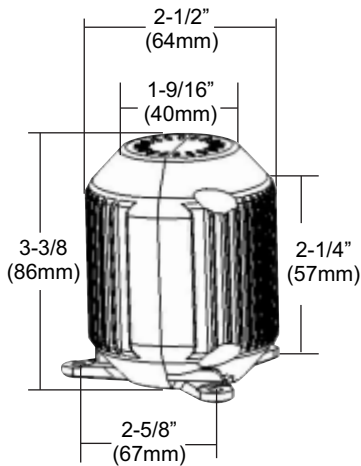
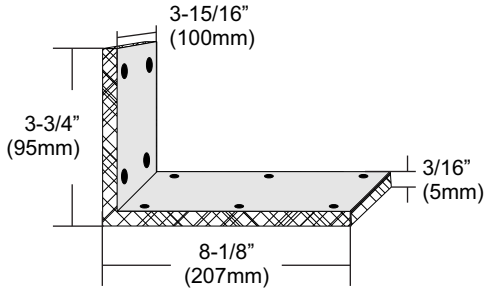


Q10B

Frequency Response: 5 - 40 Hz

Nominal Impedance: 8-Ohm

Power Handling: 40 - 1000 Watts

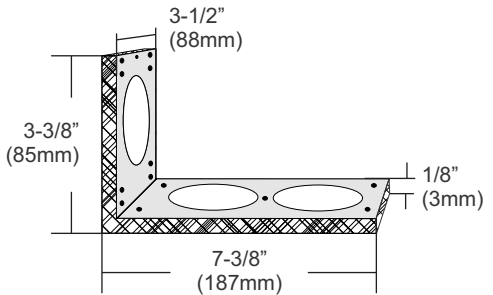


MQB-1

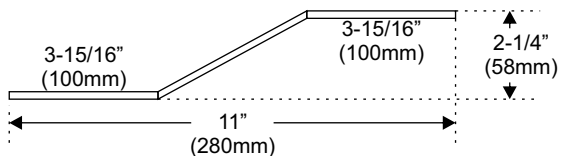
Frequency Response: 15 - 50 Hz

Nominal Impedance: 8-Ohm

Power Handling: 20 - 500 Watts



PB-1 Multiplier (Optional - Sold Separately)



Five (5) Year Limited Warranty Guidelines

Earthquake warrants the original purchaser that all Factory Sealed New Audio Products be free from defects in material and workmanship, under normal and proper use, for a period of five (5) years from the date of purchase (as shown on the original sales receipt with serial number affixed/written on it).

The five (5) years warranty period is valid only if the product is properly installed by an Earthquake authorized dealer/installer, and the warranty registration card is properly filled out and sent to Earthquake Sound Corporation. If the product is installed by a non-authorized dealer/installer, a ninety (90) days warranty period applies.

(A) Five (5) years limited warranty plan coverage guidelines:

- First year: Earthquake pays for labor, parts, and ground freight (only in US mainland, not including Alaska and Hawaii) back to customer.
- Second, third, fourth & fifth year: Earthquake pays labor only. Customer must pay for parts and freight both ways.

(B) Warning:

Products (sent for repair) that are tested by Earthquake technicians and deemed to have no problem, will not be covered by the five (5) years limited warranty. Customer will be charged a minimum of one (1) hour of labor (ongoing rates) plus shipping charges back to customer.

(C) Earthquake agrees to repair or replace - at our option - all such defective products/parts subject to the following provisions:

- Defective products/parts have not been altered or repaired by other than an Earthquake factory approved technician.
- Products/parts are not subjected to negligence, misuse, improper use, or accident, damaged by improper line voltage, used with incompatible products, or have its serial number or any part of it altered, defaced, removed, or have been used in any way that is contrary to Earthquake's written instructions.

(D) Warranty Limitations:

Earthquake warranty does not cover products that have been modified and/or abused, including but not limited to the following:

- Damages to speaker cabinet and cabinet finish due to misuse, abuse, or improper use of cleaning materials/methods.
- Bent speaker frame, broken speaker connectors, holes in speaker cone, surround & dust cap, burnt speaker voice coil.
- Fading, deterioration of speaker components & finish due to improper exposure to elements.
- Bent casing, damaged finish on the casing due to abuse, misuse, or improper use of cleaning material.

Five (5) Year Limited Warranty Guidelines

- Product/part damaged due to poor packaging or abusive shipping conditions.
- Subsequent damage to other products.

A warranty claim will not be valid if the warranty registration card is not properly filled & returned to Earthquake with a copy of the sales receipt.

(E) Service Request:

To receive product(s) service, contact Earthquake Sound's service department at (510) 732-1000 and request an RMA number (Return Material Authorization), item(s) shipped without a valid RMA number will be refused. Make sure you provide us with your complete and correct shipping address, a valid phone number, and a brief description of the problem you are experiencing with the product. In most cases, our technicians might be able to resolve the problem over the phone, thus eliminating the need to ship the product.

(F) Shipping Instructions:

Product(s) must be packaged in its original protective box(es) to minimize transport damage. Shipper claims regarding item(s) damaged in transit must be presented to the carrier. Earthquake Sound Corporation reserves the right to refuse improperly packed product(s). A copy of the original sales receipt must accompany product(s) returned for service. We encourage you to include a written description of the problem inside the package. Ship product to:

Earthquake Sound Corp.
2727 Mc Cone Avenue
Hayward, CA 94545

You are responsible for the cost of shipping the product to Earthquake Sound Corporation.

(G) Disputes Resolution:

All disputes - between clients and Earthquake Sound Corporation - resulting from the five (5) years limited warranty policy must be resolved according to the laws & regulations of the county of Alameda, California.

For Technical Support

E-Mail: tech@earthquakesound.com

US Toll Free: 1-800-576-7944 (between 9 AM - 5 PM Pacific)



Earthquake Sound reserves the right to amend details of the specifications without notice.
Copyright © Earthquake Sound Corporation
Earthquake Sound Corporation • 2727 McCone Avenue Hayward CA, 94545
Phone: 510-732-1000 Fax: 510-732-1095