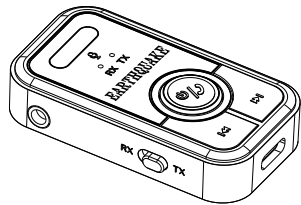




BT5.3NC Bluetooth® Wireless Transmitter & Receiver Audio Adapter



USER MANUAL

Earthquake Sound Corporation
2727 McCone Ave.
Hayward, CA 94545. USA
www.earthquakesound.com

Product Introduction

The Earthquake BT5.3NC is a Bluetooth® wireless adapter that supports both receiver and transmitter modes. With its low distortion, low power consumption, low latency, high-fidelity, and stereo operation, this smart wireless adapter is perfect for a broad range of audio applications. Whether you want to stream music from your mobile device to your home speakers, car speakers, MP3/CD player, computer, or other audio equipment, or transfer audio from headphones and speakers to your devices, the Earthquake BT5.3NC offers flexibility and convenience in a compact and portable design.

Key Features

- Bluetooth® v5.3
- Switchable receiver (RX) and transmitter (TX)
- USB Type-C rechargeable battery
- Up to 50ft (15m) wireless range
- Compact and portable design
- 6 hours of music playback
- Auto shutdown after 3 minutes of inactivity
- Auto-reconnect with devices within range
- aptX/AAC/SBC/MP3/FastStream support
- Built-in noise-canceling microphone
- Support for hands-free calling
- Dual connection support
- 3.5mm AUX IN/OUT

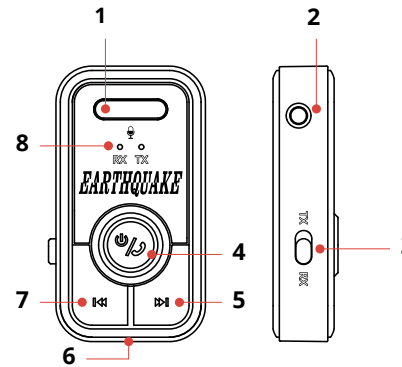
connection is successful. When pairing is complete, the red LED will be solid.

2.2 Playing Audio

Begin by inserting one end of the 3.5mm audio adapter into the BT5.3NC AUX port and the other end into an audio source with a 3.5mm AUX port. You may also utilize a 3.5mm to RCA cable if needed. Press the play button on the connected device to play audio.

- **Pause/Play:** Press the Multifunction Button (4) to pause/play a song.
- **Previous Track:** Previous Track Button (7) does not work.
- **Next Track:** Next Track Button (5) does not work. **Volume Up or Down:** Hold down either the Next Track or Previous Track Buttons to increase or decrease volume.

Product Overview



1. Microphone
2. 3.5mm AUX Port
3. RX/TX Mode Switch
4. Multifunction Button
5. Next Track/Volume +
6. USB Type-C 5V Charging Port
7. Previous Track/Volume -
8. RX/TX Mode Indicators

(3) Bluetooth Auto Reconnect

When you shut down the BT5.3NC when not in use, the device will automatically reconnect back to the wireless device that it was previously paired to within range.

(4) Auto Shutdown

The BT5.3NC will automatically shut down after 3 minutes when not connected to a device and without buttons being pressed.

(5) Charging BT5.3NC

The BT5.3NC is rechargeable and supports 5V USB-C charging. Only charge the device while it is not powered on. While charging, the red LED will be solid red and turn off once fully charged.

Operating Instructions

(1) RX Receiver Mode

Connecting your smartphone or mobile device to the BTA5 via Bluetooth in RX Receiver mode:

1.1 Pairing the Device

- First, long-press the Multifunction Button (4) for 3 seconds to turn on the BT5.3NC. When RX mode is active, the blue LED will blink.
- Next, turn on Bluetooth on your device and search for the name "BT5.3NC".
- Finally, select "BT5.3NC" to begin the pairing process.
- The voice prompts "Wireless connection successful" and the blue LED will be solid. The pairing is complete.

1.2 Playing Audio

Begin by inserting one end of the included 3.5mm mini jack adapter into the AUX port of the BT5.3NC, and the other end into either a loudspeaker, speaker, car stereo AUX port, or other type of player that supports a 3.5mm input. You may also utilize a 3.5mm to RCA cable if needed. Once connected, the music on your mobile phone can be played.

- **Pause/Play:** Press the Multifunction Button (4) to pause/play a song.
- **Previous Track:** Press the Previous Track Button (7) to skip to the previous track.

Technical Specifications

Charge Limit Voltage: 5.25V

Charging Current: 300mA

Working Current: 32mA RX, 65mA TX

Shutdown Current: 20uA

Charging Time: 45 min

Working Hours: 6 hrs RX, 4 hrs TX

Battery Capacity: 200mA

Bluetooth Version: v5.3

Wireless Frequency: 2.403-2.480 GHz

Wireless Range: 50 ft (15 m)

Wireless Support: A2DP, AVCTP, AVDTP, AVRCP, HFP, and SPP

Microphone Range: 1.5-6.5 ft (0.5-2 m)

Specifications in this manual are subject to change without notice.

Bluetooth® is the property of its respective trademark holder and has no affiliation with Earthquake Sound Corporation.

- **Next Track:** Press the Next Track Button (5) to skip to the next track.
- **Volume Up or Down:** Hold down either the Next Track or Previous Track Buttons to increase or decrease volume.

1.3 Making Hands-Free Calls

- **Redial a Call:** While in the connected state, just double-click the Multifunction Button (4) to dial the number you called last.
- **Answer and Hang Up a Call:** If you receive an incoming call while connected, press the Multifunction Button (4) once to answer it and again to hang up and end the call.
- **Reject a Call:** When you don't want to answer an incoming call, press and hold the Multifunction Button (4) to reject it.

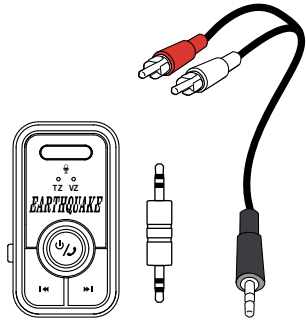
(2) TX Transmitter Mode

2.1 Pairing the Device

- First, long press the Multifunction Button (4) for 3 seconds to turn the device on. When TX mode is set, the red LED will turn on and blink. This indicates that the BT5.3NC is searching for a connection.
- Turn your Bluetooth-enabled device on and make sure it is in pairing mode. If using wireless headphones/earbuds most will have a button on the cradle to initiate pairing mode. This will allow the BT5.3NC to find your headphones/earbuds.
- Wait until the connected device indicates that the

Input & Output Connections

The BT5.3NC Bluetooth receiver/transmitter comes with a 3.5mm male-to-male adapter. If in the event that your audio equipment does not support a 3.5mm AUX input, a 3.5mm to RCA Y-adapter cable (not included) can also be used. Note that the USB Type-C connector on the bottom of the module does no support audio transmission. It is only for charging.



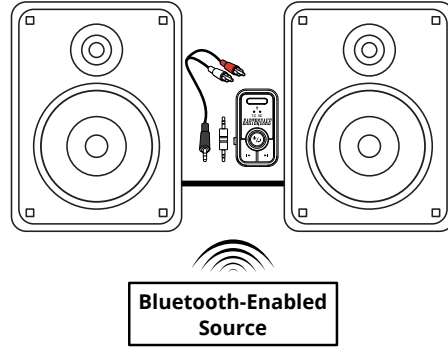
3.5mm to RCA Y-adapter not included

RX & TX Configurations

RX Mode - Home Audio

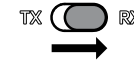


Active & passive monitor speakers with 3.5mm male-to-male AUX or 3.5mm to RCA adapter

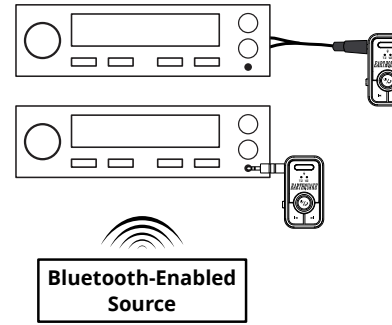


Check volume levels of your source, BT5.3NC module, and monitor speakers prior to playing audio.

RX Mode - Mobile Audio



Car stereo/head unit with front panel 3.5mm AUX input or rear RCA inputs



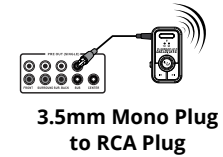
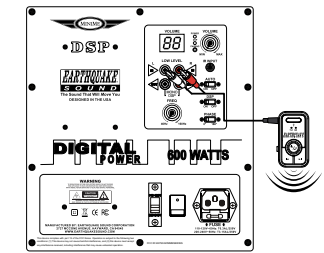
Check volume levels of your source, BT5.3NC module, and monitor speakers prior to playing audio.

TX & RX Mode

Home Audio - Active Subwoofer



MiniMe DSP Subwoofer



Rear of AV Receiver or Processor

Check volume levels of your source, BT5.3NC module, and subwoofer prior to playing audio.

Troubleshooting

The BT5.3NC does not connect to a Bluetooth-enabled device

- It is advised that you unpair, forget, or clear the pairing list of other Bluetooth-enabled devices that have previously been paired to the BT5.3NC.
- Make sure that you have powered on the BT5.3NC and that the LED indicator is blinking red for TX mode or blue for RX mode.
- Make sure that the device you intend to pair the BT5.3NC with supports A2DP and AVRCP profiles.

Sound from speakers is intermittent

- Move your Bluetooth-enabled device closer to the BT5.3NC. Note that the BT5.3NC module is designed to work within ≈ 50ft (15m) range and walls or other obstructions will reduce the range.

No audio coming from stereo speakers

- Make sure that the BT5.3NC is powered on and the 3.5mm AUX adapter is properly connected to both the BT5.3NC and your source. Check the volume of all devices being used. Most devices being used will have their own independent volume controls.

Technical Support

For additional technical support, contact our technical support team by:

Email: tech@earthquakesound.com

Phone: 1-510-732-1000

For the most up-to-date product information, please visit

www.earthquakesound.com.

Specifications are subject to change without notice.