

2-In-1 Bluetooth® Wireless Audio Adapter

The Earthquake BT5.3NC stands out as a versatile 2-in-1 Bluetooth® wireless adapter that excels in both transmitting and receiving audio. Known for its top-notch wireless audio performance, this innovative device prioritizes versatility and innovation, boasting features such as low distortion, efficient power usage, and superior audio quality. Whether you seek wireless music streaming or hands-free communication, the Earthquake BT5.3NC

is the solution. Its dual functionality as a transmitter and receiver seamlessly integrates with a broad range of audio systems, catering to both fixed home and portable audio setups. With its built-in microphone and noise-cancellation technology, enjoy crystal-clear calls from a distance at the touch of a button. Embrace the freedom and convenience of on-the-go audio streaming with the Earthquake BT5.3NC, your ultimate audio companion.

High-Quality Lossless Audio Experience



Key Features

- Compact and Portable Design
- Bluetooth® Wireless v5.3
- Switchable Receiver and Transmitter Modes
- aptX, AAC, SBC, MP3, and FastStream Support
- 5V USB Type-C Rechargeable
- Up To 50 ft. (15 m) Wireless Range
- Lower Latency Than Wi-Fi
- LE Audio Transmission
- 6 Hours of Continuous Playback
- Fast Device Pairing & Auto Shutdown
- Multiple Connection Support
- Hands-Free Calling with Built-in Microphone
- Echo Canceling & Noise Suppression Technology
- 3.5 mm AUX IN/OUT

Why v5.3?

Bluetooth® v5.3 represents a notable advancement in audio quality and performance, incorporating advanced codec support to enhance the listening experience for music enthusiasts using wireless audio systems. With Bluetooth v5.3 technology, this offers improved sound quality, extended wireless range, reduced power consumption, and prolonged listening sessions, ensuring a delightful experience for music playback and hands-free communication via Qualcomm® cVc™ (Clear Voice Capture) technology.

In The Box

- 1 x BT5.3NC Audio Adapter
- 1 x 3.5mm Male-to-Male Connector
- 1 x USB Type-C Charging Cable
- 1 x User Manual

SPECIFICATIONS

Charge Limit Voltage: 5.25V

Charging Current: 300mA

Working Current: 32mA RX, 65mA TX

Shutdown Current: 20uA

Charging Time: 45 min

Working Hours: 6 hours RX, 4 hours TX

Battery Capacity: 200mAh

Bluetooth Version: v5.3

Interface: 3.5mm AUX Jack

Wireless Frequency: 2.403–2.480 GHz

Wireless Range: Up to 50 ft. (15 m)

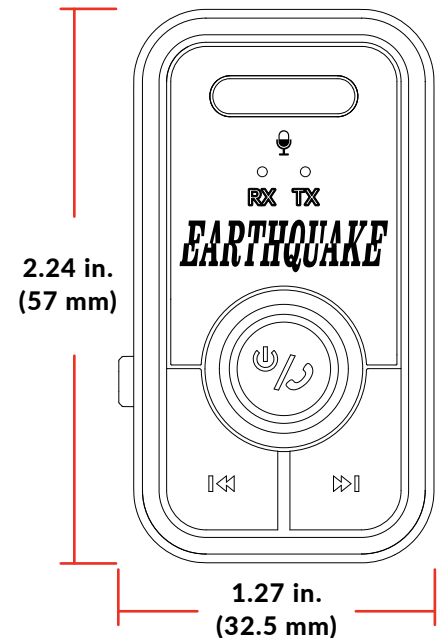
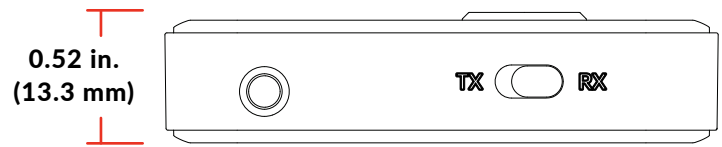
Wireless Support: A2DP, AVCTP, AVDTP, AVRCP, HFP, SPP

Codec Support: aptX, AAC, SBC, MP3, FastStream

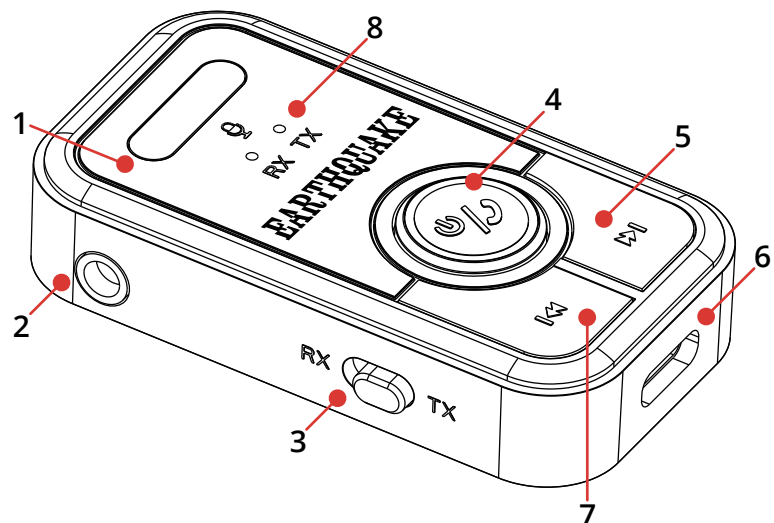
Microphone Range: 1.5–6.5 ft. (0.5–2 m)

H x W x D: 2.24 in. (57 mm) x 1.27 in. (32.5 mm) x 0.52 in. (13.3 mm)

Weight: 0.56 oz (16 g)



1. Microphone
2. 3.5mm AUX Port
3. RX/TX Mode Switch
4. Multi-function Button
5. Next Track/Volume +
6. USB Type-C Charging Port
7. Previous Track/Volume -
8. RX/TX Mode Indicators



BT5.3NC

MSRP: \$45.99/PIECE



Earthquake Sound Corporation

2727 McCone Avenue, Hayward, CA 94545 • www.earthquakesound.com • 510-732-1000

©2024 Earthquake Sound Corporation

All copyrighted, trademarked, and patented elements mentioned herein are the sole property of Earthquake Sound Corporation.