



The Sound That Will Move You

SLAPS-M8v2

MASS TUNED SLAPS PASSIVE RADIATOR
(Symmetrically Loaded Audio Passive System)



PATENTED

U.S. Patent No. 6,044,925
U.S. Patent No. 6,460,651 B1
U.S. Patent No. 6,626,263 B2
and more patents pending

TUNING MANUAL

Earthquake Sound Corporation
2727 McCone Avenue, Hayward, CA 94545, USA
Phone: 510-732-1000

www.earthquakesound.com www.earthquakesoundshop.com

ALL ASPECTS BELOW ARE WITH ZERO ADDED MASS ASSUMING SURROUND LOSSES OF Qmd = 7 @ 20Hz

Parameters

CMS, CMP	0.000326721 N·m
Diameter Peak to Peak, D	16.2 cm
Active Piston Area Sd	206.0624 cm ²
Active Piston Area Sd	0.02010624 m
Vas in Liters	18.7554059 L
Vas in Cubic Feet	0.660401616 ft ³
Air Mass Mmr In Kilograms	0.001639322 kg
Air Mass Mmr In Grams	1.639 321512 g
Moving Mass In Grams	74 g
Mms = Mmp In Grams	75.63932151 g
Free Air Resonance Fs = Fp	32.01526526 Hz
Qm	9.5
Peak To Peak Excursion	2.5 in / 6.35 cm

Dimensions

Overall Diameter	8.93 in. (227mm)
Cutout Diameter	7.28 in. (185mm)
Mounting Depth	2.28 in. (58mm)
Hex Nut Size	US 5/16 (M8)
Mass ID	5/16 in. (8mm)
Max Mass OD	2 in. (52mm)



Specifications are subject to change without notice.

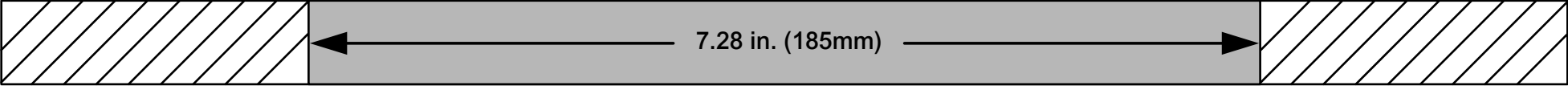
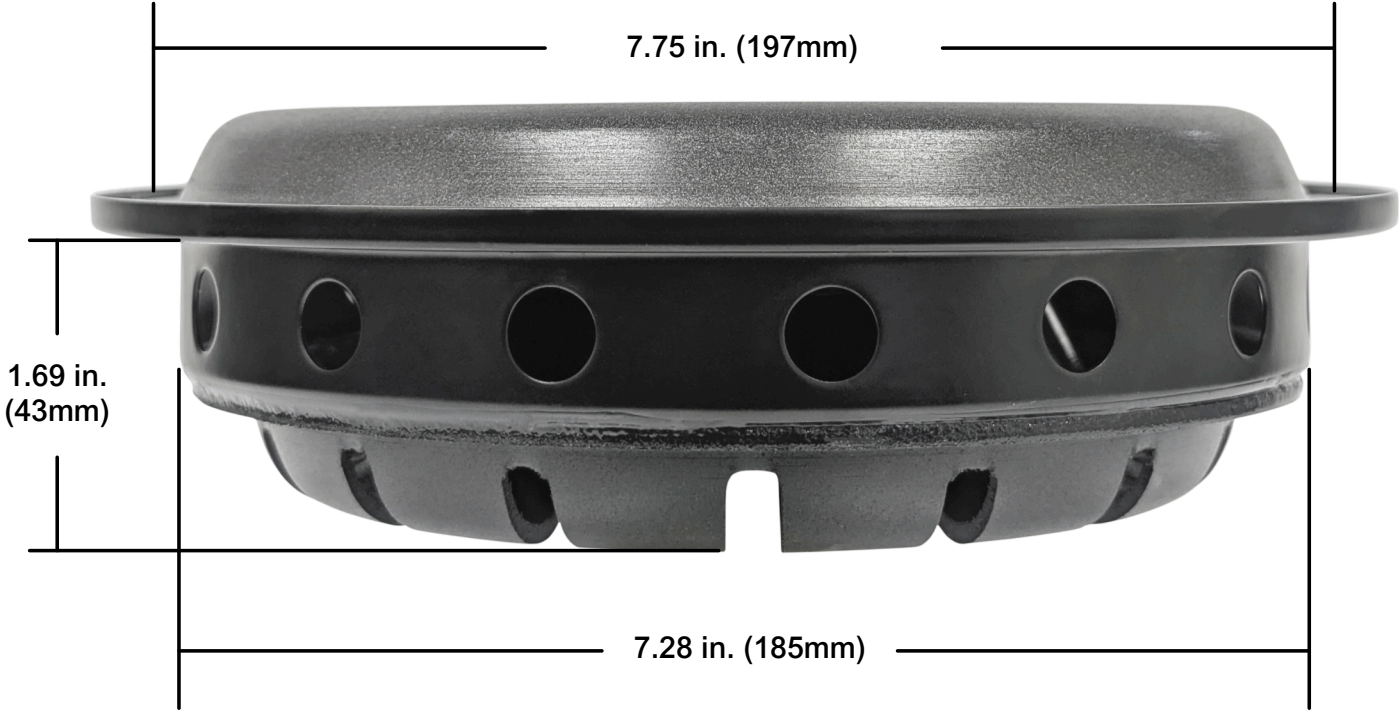
SLAPS-M8v2 INTERNAL NET VOLUME & TUNING GRAPH

0.4 ft ³		0.5 ft ³		0.6 ft ³		0.7 ft ³	
Tuning Hz	Added Mass	Tuning Hz	Added Mass	Tuning Hz	Added Mass	Tuning Hz	Added Mass
15	532	15	411	15	330	15	273
16	459	16	353	16	282	16	231
17	398	17	304	17	241	17	196
18	347	18	263	18	207	18	167
19	304	19	229	19	178	19	143
20	267	20	199	20	154	20	122
21	236	21	174	21	133	21	103
22	208	22	152	22	115	22	88
23	184	23	133	23	99	23	74
24	163	24	116	24	85	24	62
25	145	25	101	25	72	25	52
26	128	26	88	26	61	26	42
27	114	27	76	27	52	27	34
28	101	28	66	28	43	28	26
29	89	29	57	29	35	29	20
30	78	30	48	30	28	30	13
31	69	31	40	31	22	31	8
32	60	32	33	32	16	32	3
33	52	33	27	33	10	33	-2
34	45	34	21	34	6	34	-6
35	38	35	16	35	1	35	-9
36	32	36	11	36	-3	36	-13
37	27	37	7	37	-7	37	-16
38	21	38	2	38	-10	38	-19
39	17	39	-1	39	-13	39	-22
40	12	40	-5	40	-16	40	-24
41	8	41	-8	41	-19	41	-27
42	4	42	-11	42	-21	42	-29
43	1	43	-14	43	-24	43	-31
44	-3	44	-17	44	-26	44	-33
45	-6	45	-19	45	-28	45	-35
46	-9	46	-21	46	-30	46	-36
47	-11	47	-24	47	-32	47	-38
48	-14	48	-28	48	-34	48	-39
49	-16	49	-28	49	-35	49	-41
50	-18	50	-29	50	-37	50	-42

Note: Standard added mass is 160g including the mounting hardware

Not Recommended
 Optimal
 Do Not Use

SLAPS-M8v2 Passive Radiator Mounting Dimensions Without Gasket



SLAPS-M8v2 Passive Radiator Mounting Dimensions With Gasket

