

Earthquake's XJ-700DSP is the newest addition to the XJ Series of home and professional audio amplification. Like the XJ-700R, it addresses the need to correctly adjust a room to precision audiophile status, but now with the added benefits of controlling the DSP from your finger tips via a mobile app. You can take full advantage of what this subwoofer amplifier has to offer by making on-the-fly adjustments for the utmost in sound quality and user control with features like auto room correction and up to 60dB/Oct filters.

The XJ-700DSP has a unique built-in Boundary EQ designed to remove exaggerated boomy sounds created by corner loading, large wall surfaces, or installations inside custom cabinetry; other amplifiers try to equalize the room only by adjusting the volume. This amplifier addresses the actual

phase correction problem along with the room EQ. The XJ-700DSP can also power multiple tactile transducers like Earthquake's Q10B, as well as high response subwoofers like the patented THOR in-wall shallow subwoofer making it an extremely versatile option. Additionally, users may also connect any other passive subwoofer/s to this amplifier.

The XJ-700DSP is ideal for handling heavy-duty subwoofer applications to driving the equipment of everyday home audio enthusiasts and professionals. It was designed to exceed the highest expectations in audio amplification for folks who desire full control and ability to adjust all parameters of operation. With the new XJ-700DSP, a customized room response has never been easier.



POWER, CONTROL, AND VERSATILITY

CLASS J CIRCUITRY

Engineered with patented Class J circuitry, the XJ-700DSP amplifier delivers the clarity of a Class A/B with the efficiency of a Class D. This allows the amplifier to produce a massive amount of power with minimal heat production and distortion.

BOUNDARY EQ

Removes exaggerated boomy sounds created by corner loading, large wall surfaces, or installations created by custom cabinetry. Switch between ON and OFF modes to change the response curve from flat or add +3dB.

APP CONTROLLED DSP

Through the iWoofers™ Pro mobile app, users have full control over room response with 8th order filters of up to 60dB/oct. This easy-to-use mobile app offers an automated room correction process for a completely flat, boomy low frequency, or any other desired response.

DSP OUT

A dedicated RCA output that sends the altered/processed signal from the amplifier's app based DSP out to another amplifier or powered subwoofer.

DSP ON/OFF

This switch enables or disables iWoofers™ DSP. When set to the off position, the rear frequency knob becomes active. However the RCA "DSP OUT" remains controlled by iWoofers.

MUSIC & MOVIE MODE

The mode button switches the amplifier's EQ between a preset Music mode (flat) and a Movie mode (+8dB between 30Hz–80Hz for added impact).

5-WAY BINDING POSTS

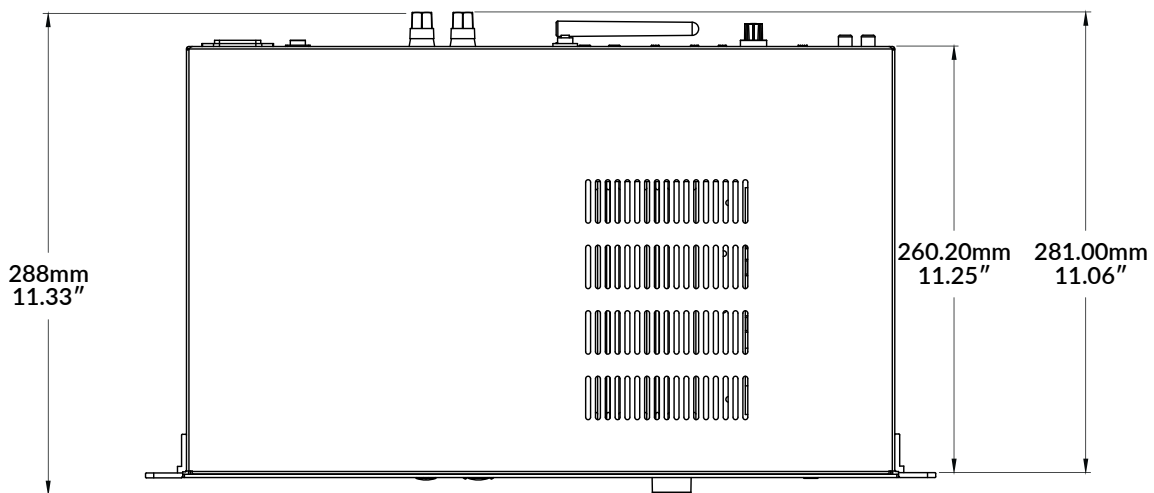
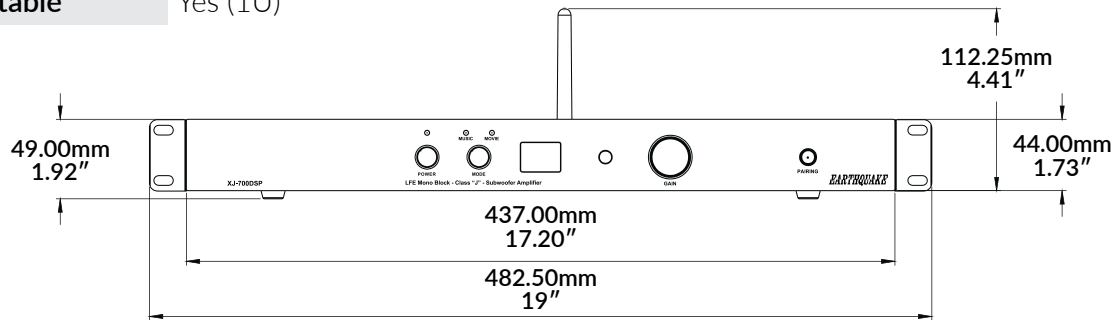
5-way binding post terminals accept bare speaker wire and a variety of connectors. The two terminals are internally connected in parallel all to the same source and can be used one at a time or both at the same time.

ON/AUTO/+12V SIGNAL SENSING

The XJ-700DSP is equipped with a 3-way signal switch. The amplifier can remain on regardless of signal presence, or the amplifier will only turn on when audio signal is detected, or a +12V trigger wire can be used to power on the amplifier.

SPECIFICATIONS & DIMENSIONS

MODEL	XJ-700DSP	Height (Antenna Down)	1.92" (49mm)
Power Output	1 x 700 WRMS @ 4Ω	Height (Antenna Up)	1.92" (49mm)
	1 x 400 WRMS @ 8Ω	Width (Without 1U Ears)	17.20" (437mm)
Frequency Response	18Hz-160Hz	Width (With 1U Ears)	18" (482.5mm)
Low Pass Filter	40Hz-160Hz	Depth	11.06" (281mm)
Harmonic Distortion	< 0.02% (1W/4-Ohm)		
Signal to Noise Ratio	> 112dB (Balanced)		
	> 108dB (Unbalanced)		
Load Impedance	4-Ohm or greater		
Input Connection	RCA		
Output Connection	Binding Posts (5-Way)		
	RCA (DSP OUT)		
Rack Mountable	Yes (1U)		



MSRP: \$999.00/PIECE

Earthquake Sound Corporation

2727 McCone Avenue, Hayward, CA 94545 • www.earthquakesound.com • 510-732-1000

©2023 Earthquake Sound Corporation. All copyrighted, trademarked, and patented elements mentioned herein are the sole property of Earthquake Sound Corporation.