

ECS 4.0 v2

With limitless applications and sound quality in mind, Earthquake Sound is proud to release the new ECS 4.0 v2 Edgeless In-Ceiling Speaker. The small footprint of this 4" full-range speaker was made for a variety of indoor as well as covered outdoor applications. The self-enclosed design with humidity resistant components provides users with a broader range of installation options such as bathrooms, kitchens, and outdoor living spaces are just a few examples. Installation is made painless by a friendly and stupid simple toolless mounting system that makes your

installs faster and more efficient by simply pushing the speaker into any 99mm diameter hole with a depth of 3 inches. Custom AV installers will enjoy the simplicity that this speakers provides allowing them to move quickly and effortlessly through projects. The edgeless and paintable grille further enhances this speaker by allowing it to vanish and not interrupt the décor of the room. The ECS 4.0 v2 is built to perform and complement the environment in which it is placed allowing you to enjoy music and audio in your home or commercial space.



VERSATILE & POWERFUL

Optimized For Dolby Atmos®

The ECS 4.0 v2 is optimized for Dolby Atmos. The accurate reproduction of Atmos overhead code depends on isolating the room from compromising event placement with reflections. The high-pass filtering insures that users will listen to the Atmos code and not a diluted and altered room response.

Kitchens, Bathrooms, & Outdoor

The self-enclosed and humidity resistant design allows the user to place this speaker in areas where humidity might be a concern. Enjoy audio from your bathroom, kitchen, and outdoor spaces.

Single-Handed Mounting System

Spring loaded and toolless mounting clips make installation simple, secure, and more efficient so your job is done quicker.

3" Mounting Depth

The small mounting depth requirement of the ECS 4.0 gives users more mounting options for either in-ceiling or in-wall applications as well as covered outdoor environments.

Powerful Ferrite Magnets

ECS 4.0 is equipped with high quality ferrite motor structure on the market making the speaker smaller yet more efficient than any other speaker magnet material.

Long Lasting Rubber Surround

The sag-resistant rubber surround will ensure that the speaker performs exceptionally well through many years of use.

Thermally Conductive Cone

ECS 4.0 v2 is manufactured with aluminum cones for added thermal stability with less distortion and can greatly withstand weathering in humid environments such as bathrooms and outdoor areas.

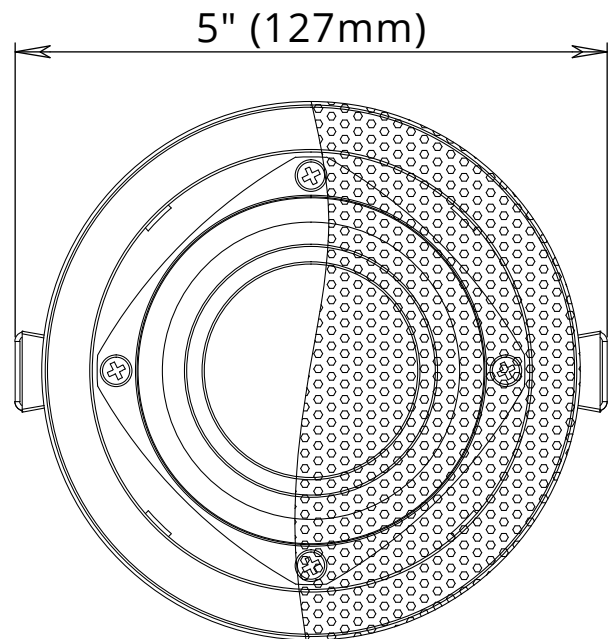
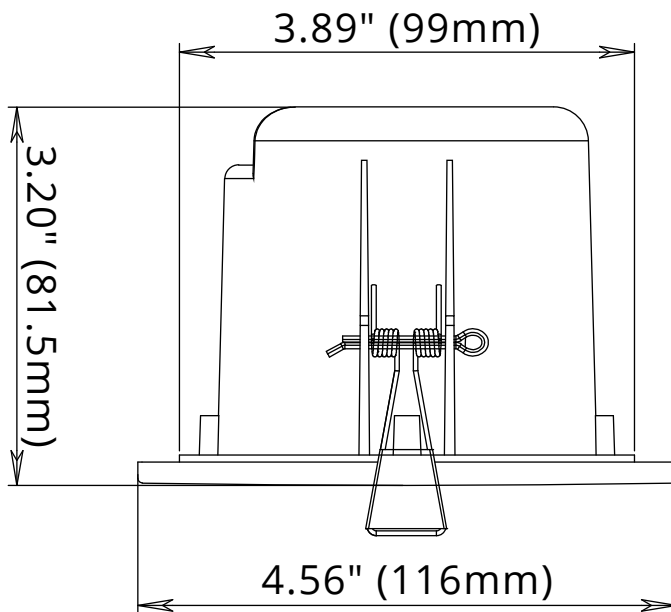
Edgeless Paintable Grille

The edgeless, slim, and paintable grille on the ECS 4.0 v2 allows the installer to further customize the speaker so that it can perfectly match the décor of any room.

SPECIFICATIONS

MODEL	ECS 4.0
Full Range	4"
Frequency Response	80Hz-10kHz
Power Handling	50 Watts Max
Sensitivity	84dB
Impedance	8-Ohm
Voice Coil Diameter	1" (25.2mm)
Cutout Diameter	3.89" (99mm)
Grille Diameter	4.56" (116mm)
Mounting Depth	2.95" (75mm)

MODEL	ECS 4.0
Magnet Material	Ferrite
Cone Material	Aluminum
Surround Material	Butyl Rubber
Grille Material	Aluminum



MSRP: \$159.00/PAIR

Earthquake Sound Corporation

2727 McCone Avenue, Hayward, CA 94545 • www.earthquakesound.com • 510-732-1000

©2020 Earthquake Sound Corporation

All copyrighted, trademarked, and patented elements mentioned herein are the sole property of Earthquake Sound Corporation.