

Titan

Telesto Manual

High Fidelity Speakers



Table of Contents

Introduction.....	2
Safety Instructions.....	2
Unpacking Tips, Safety Instructions.....	4
Design and Driver Units.....	5
Room Set-up Options.....	6
Amplifier Set-up Options.....	7
Dimensions and Specifications.....	8
Warranty Information.....	9



The Sound That Will *Move* You.

Earthquake Sound Corporation
2727 McCone Avenue
Hayward, CA 94545
Tel: 510-732-1000
Fax: 510-732-1095

Customer Support
tech@earthquakesound.com
Tel: 800-576-7944
Fax: 510-732-1095

© 2009 Earthquake Sound Corporation. All rights reserved.

This document should not be construed as a commitment on the part of Earthquake Sound Corporation. The information is subject to change without notice. Earthquake Sound Corporation assumes no responsibility for errors that may appear within this document.

Introduction

The anticipation is over and I sincerely appreciate your patience. You and I share a passion for high fidelity; we love music and we strive to perfect its reproduction: they call us "Audiophiles." I just couldn't let this fascination of mine make its way to the sales floor without sweating the details from every angle possible. This "labor of love" took me a few years, and it was worth the wait.

Ladies & Gentlemen, I present to you the Telesto Towers, part of the Titan Series. Many sleepless nights have brought the perfect sound reproduction machine to a reality.

Over the years, many of you have provided us with design requirements, new product development ideas and tremendous feedback that helped us to improved our products. We are very grateful for your support and feedback.

From all of us here at Earthquake Sound Corporation: Thank you.



Joseph J. Sahyoun
President & Chief Engineer

Earthquake Sound Corporation was founded in 1984 by Joseph J. Sahyoun, a brilliant engineer and a well-respected researcher/developer of audio technologies. Mr. Sahyoun's infatuation with audio, his relentless pursuit of perfection, and his love for music drove him to excel Earthquake Sound as a leader in this industry. Hence the hi-fi speakers: TITAN towers a.k.a. Telesto.

Safety Instructions

Safety First

This documentation contains general safety, installation, and operating instructions for the Telesto Towers. It is important to read this users' manual before attempting to use these products. Pay particular attention to the safety instructions.

Symbols Explained:



Appears on the component to indicate the presence of uninsulated, dangerous voltage inside the enclosure – voltage that may be sufficient to constitute a risk of shock.

CAUTION

Calls attention to a procedure, practice, condition or the like that, if not correctly performed or adhered to, could result in injury or death.

WARNING

Calls attention to a procedure, practice, condition or the like that, if not correctly performed or adhered to, could result in damage to or destruction of part or all of the product.

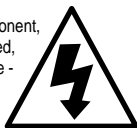
Note:

Calls attention to information that is essential to highlight.

Important Safety Instructions

- 1) Read these instructions in their entirety.
- 2) Store this manual and packaging in a safe place.
- 3) Heed all warnings.
- 4) Follow instructions (do not take short cuts).
- 5) Do not use this apparatus near water.
- 6) Clean only with a dry cloth.
- 7) Do not block any ventilation openings. Install in accordance with the manufacturers instructions.
- 8) Do not install near any heat sources such as radiators, heat registers, stoves, or other apparatuses that produce heat.
- 9) Do not defeat the safety purpose of the polarized or grounding-type plug. A polarized plug has two blades with one wider than the other. A grounding-type plug has two blades and a third grounding prong. The wide blade or the third prong is provided for your safety. If the provided plug does not fit into your outlet, consult an electrician for replacement of the obsolete outlet.
- 10) Protect the power cord from being walked on or pinched, particularly at plugs, convenience receptacles, and the point where they exit from the apparatus.
- 11) Only use attachments & accessories specified by the manufacturer.
- 12) Use only compatible rack or cart for final resting position.
- 13) Unplug this apparatus during lighting storm or when unused for long period of time.
- 14) Refer all servicing to qualified service personal. Servicing is required when the apparatus has been damaged in any way such as; power-supply cord or plug is damaged, liquid has been spilled or objects have fallen into the apparatus, the apparatus has been exposed to rain or moisture, does not operate normally, or has been dropped.
- 15) To reduce the risk of fire or electric shock, do not expose this apparatus to rain or moisture.

This triangle, which appears on your component, alerts you to the presence of uninsulated, dangerous voltage inside the enclosure - voltage that may be sufficient to constitute a risk of shock.



This triangle, which appears on your component, alerts you to important operating and maintenance instructions in this accompanying literature.



Unpacking system components

- Keep the original carton and packing materials for future shipment or storage.
- Check for any visual signs of damage. If you encounter any concealed damage, consult your Earthquake Sound dealer before proceeding with unit installation.
- Retain the sales receipt as it established the duration of the limited warranty and provided information for insurance purposes.

System installation considerations

There are several factors to consider before installing the Earthquake Sound Telesto Towers.

- What are the intended listening zones?
- What system options and accessories might be required for features such as local sources, etc.?
- From where in each zone will the listener prefer to control the system? Where will the remote gains be located? Where will the speakers be located?
- Where will the source equipment be located?

Connection tips

- Keep all power cords away from all signal cables to prevent humming from induced noise.
- Choose reliable signal cables cords (Earthquake Sound also specializes in high-performance RCA cables and patches).
- All speaker wires that are ran through the walls should be twisted type to reduce potential hum noise pick up.
- Label both ends of all wires with the corresponding room location.
- It is best to use a grounded electrical outlet to power the amplifier. Lack of input ground reference could be unsafe. Consult with your electrical contractor about proper grounding.

Telesto Design

Earthquake Sound presents its next creation from the TITAN series, the Telesto towers.

Their sleek, slim exteriors are matched only by their performance. The main Telesto cabinets are built from multi-laminations of steam bent, high density fiber board. These laminations offer extreme rigidity as well as lower cabinet vibrations. These single pieces of egg shaped walls offer minimum wall reflections and allow the cabinets to be transparent, dynamic, and neutral.

To maximize floor coupling in low frequencies, the Telestos are equipped with XLT EQ8 extra long excursion subwoofers that create tight, fast, and accurate low frequency extension. The EQ8's are mounted 90° off-axis from the front of the speakers. This allows for a slim profile while delivering massive bass response. With a name like Earthquake, audiophiles tend to expect more, and the Telesto delivers.

The mid-band of the Telestos are equipped with an array of type loaded two 4" Kevlar drivers. The array type design calls for identically designed stacked speakers to play into the room. The array shares the three dimensional space in front of the speakers, this

allows the sound to travel in tubular shaped spheres.

In an array type design, SPL losses due to the distance between the speakers and the listeners are 4 times lower than conventional design. The dual carbon fiber drivers are fast, neutral, and voice tuned.

The Telestos are crowned with two conically shaped epoxy cabinets that harbor the T1 tweeter and the M2 midrange. The T1 and M2 are placed at about 3 feet elevation from the base. This allows the speaker to produce linear response that is not obstructed by furniture and that is more direct to a sitting listener. The M2 is a 1.25" super midrange that delivers upper mids, and the T1 is a 1" silk dome with a Neo motor structure.

The design of the T1 tweeter module on top of the cabinet in a separate enclosure achieves perfect positioning for wider dispersion and better image stability. The T1 is tuned to allow correct phase integration with M2, the midrange driver. The enclosure designs are optimized to deliver the ultimate in sound quality. Each Telesto is voice tuned to deliver a transparent performance.

As AV front speakers or a conventional stereo system, the Telestos will deliver a benchmark in performance and style that is unprecedented.

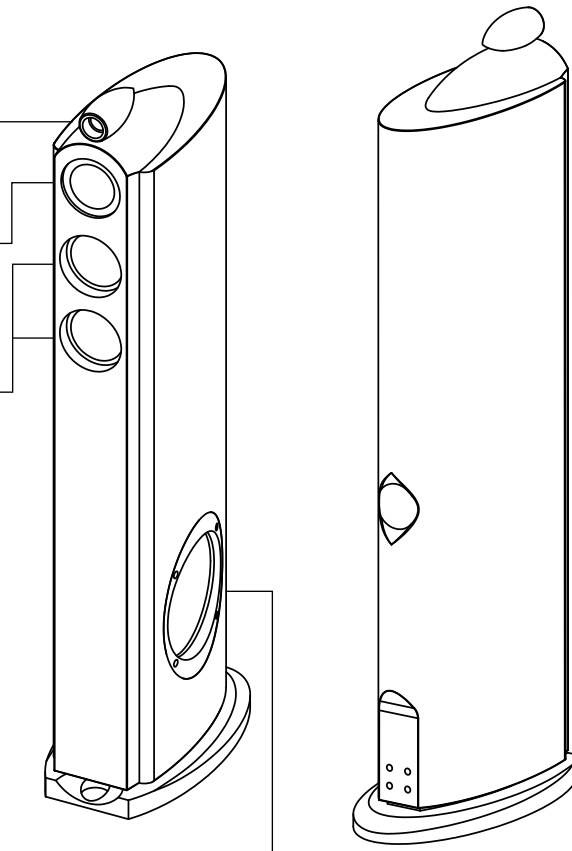
Telesto Driver Units

T1: 1" silk dome, NEO super tweeter.
Frequency range: 3KHz-35KHz.
Fo=2.1KHz.

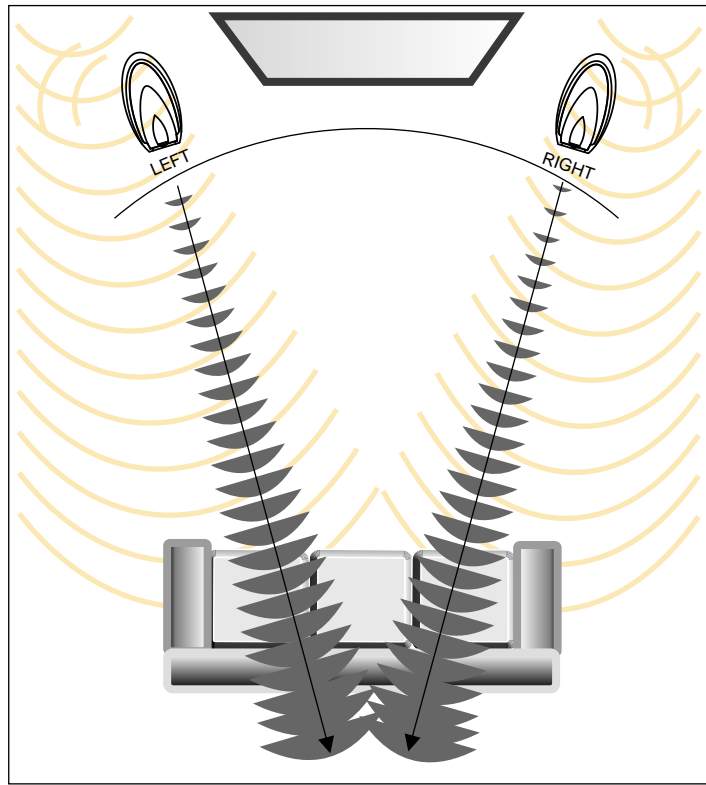
M2: 1.25" silk dome, compression tweeter, phase correction, horn loaded.
Frequency range: 1.4KHz-10KHz.
Fo=1.25KHz.

M4: Dual 4" Kevlar midrange, Long Excursion.
Frequency range: 100Hz-2KHz.
Fo=130Hz.

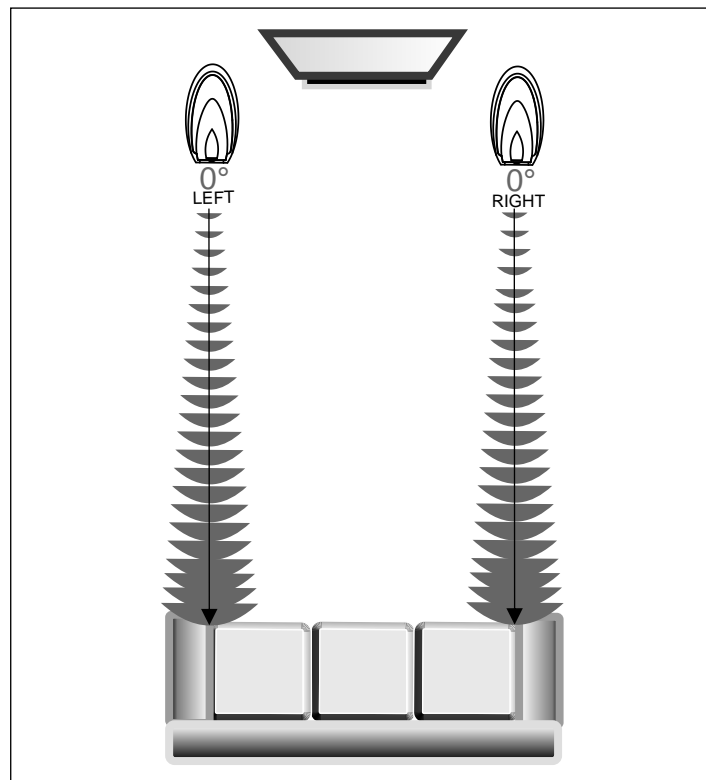
EQ-8 XLT: fiberglass cone midbass, 8" black fiberglass cone side woofer.
Frequency range: 30Hz-150Hz.
Fo=28Hz.





Room Setup Options



(Side Subwoofers face outwards, toward the wall.)

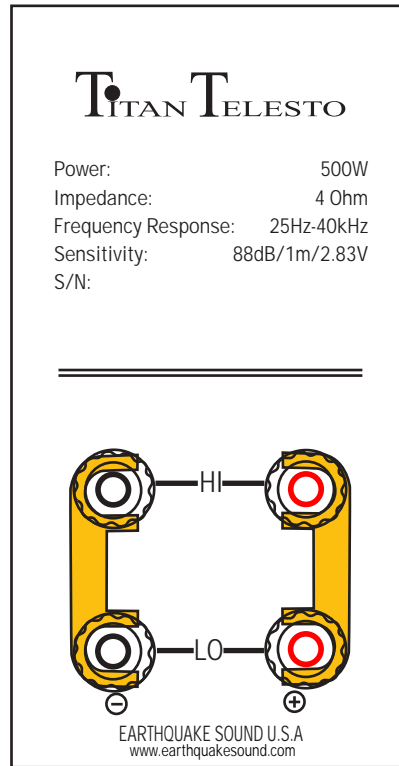


 = Subwoofer Sound Wave
 = Speaker Sound Wave

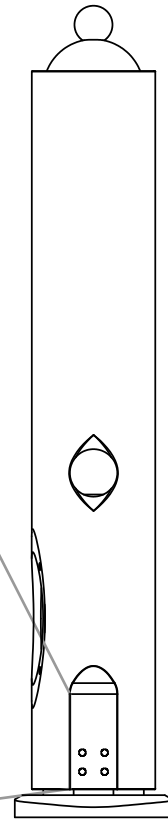
Amplifier Set-up Options

Single Amp. Option

For one Amplifier/Power Source per system or per tower, leave gold bridging bars on. Connect to the Amplifier/Power Source from either the high or the low terminals.

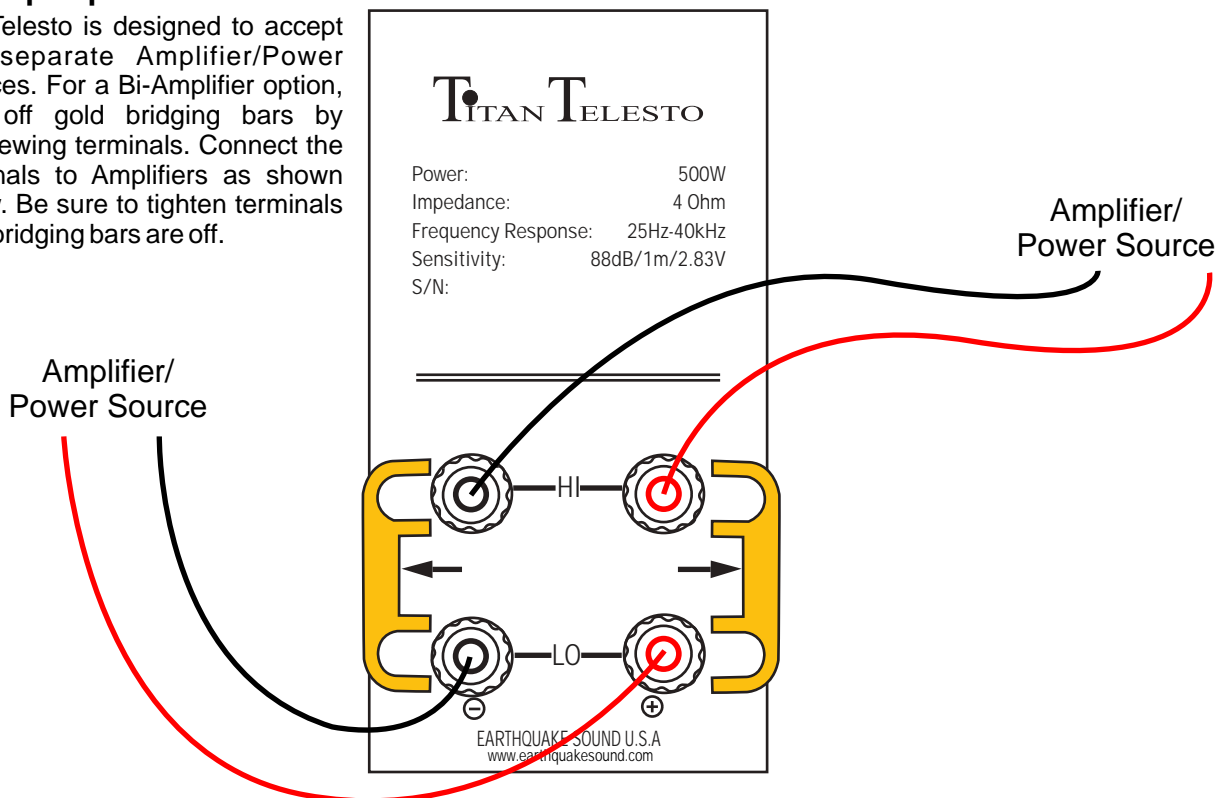


back view

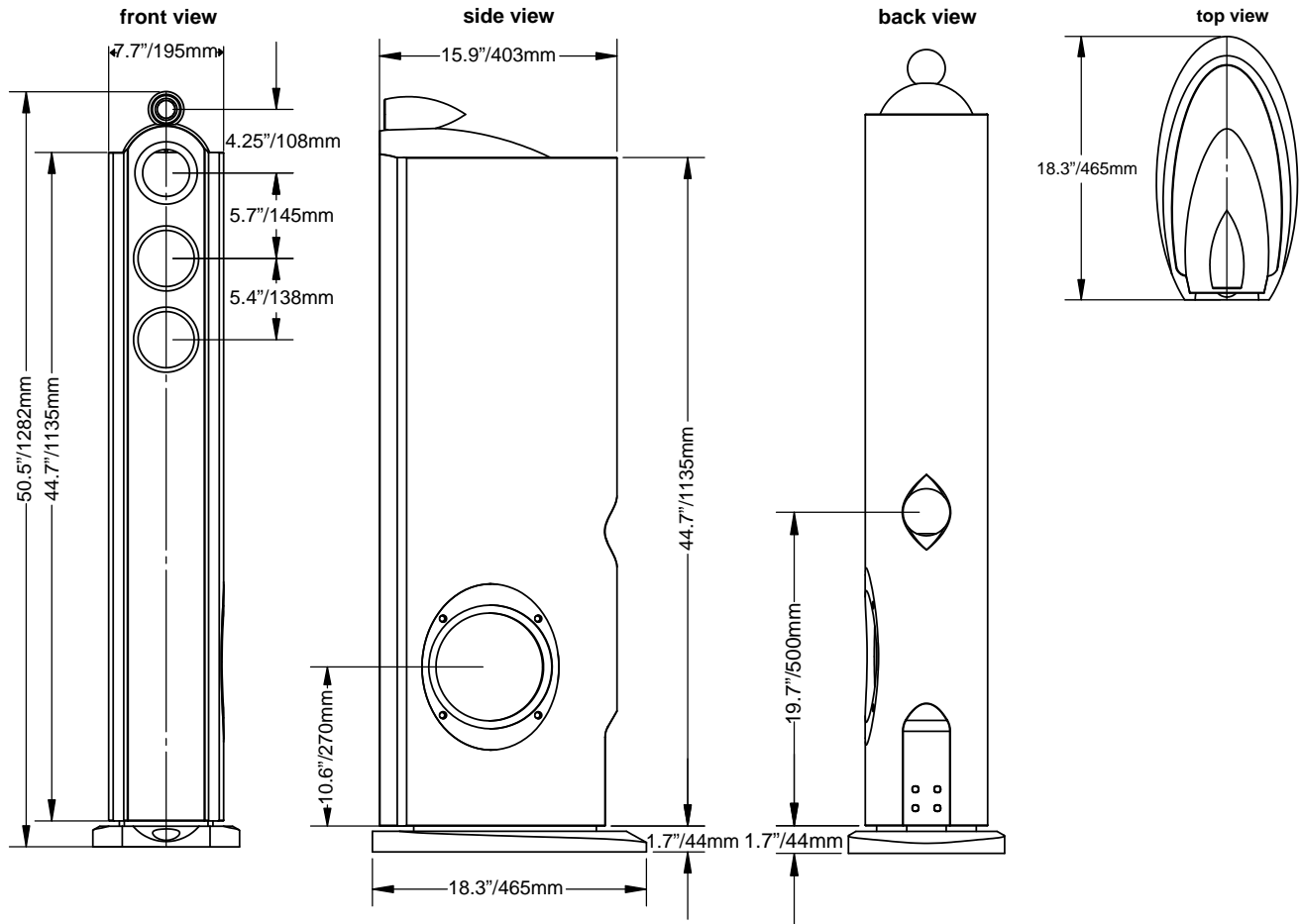


Bi-Amp. Option

The Telesto is designed to accept two separate Amplifier/Power Sources. For a Bi-Amplifier option, take off gold bridging bars by unscrewing terminals. Connect the terminals to Amplifiers as shown below. Be sure to tighten terminals after bridging bars are off.



Telesto Dimensions and Specifications



Telesto Specifications

Frequency: 25Hz-40kHz

Sensitivity: 94dB+/-3dB

Nominal Impedance: 4 Ohms

Crossover frequency: 350Hz, 3.2kHz, 10kHz

Recommended amplifier power: 100WRMS and up to 500WRMS

Dimensions

Height: 50.5in/1282mm

Width: 7.7in/195mm

Depth: 18.3in/465mm

Net weight: 31kgs/68.3lbs

Available finish: Fine high gloss 3mm black lacquer paint

5 Year Warranty Information

Earthquake warrants the original purchaser that all Factory Sealed New Audio Products be free from defects in material and workmanship, under normal and proper use, for a period of five (5) years from the date of purchase (as shown on the original sales receipt with serial number affixed/written on it).

The five (5) years warranty period is valid only if the product is properly installed by an Earthquake authorized party, and the warranty registration card is properly filled out and sent to Earthquake Sound Corporation. If the product is installed by a non-authorized party, a ninety (90) days warranty period applies.

(A) Five (5) years limited warranty plan coverage guidelines:

- First year: Earthquake pays for labor, parts, and ground freight (only in US mainland, not including Alaska and Hawaii) back to customer.
- Second year: Earthquake pays for labor and parts only, customer must pay freight both ways.
- Third, fourth & fifth year: Earthquake pays labor only. Customer must pay for parts and freight both ways.

(B) Warning:

Products (sent for repair) that are tested by Earthquake technicians and deemed to have no problem, will not be covered by the five (5) years limited warranty. Customer will be charged a minimum of one (1) hour of labor (ongoing rates) plus shipping charges back to customer.

(C) Earthquake agrees to repair or replace - at our option - all such defective products/parts subject to the following provisions:

- Defective products/parts have not been altered or repaired by other than an Earthquake factory approved technician.
- Products/parts are not subjected to negligence, misuse, improper use, or accident, damaged by improper line voltage, used with incompatible products, or have its serial number or any part of it altered, defaced, removed, or have been used in any way that is contrary to Earthquake's written instructions.

(D) Warranty Limitations:

Earthquake warranty does not cover products that have been modified and/or abused, including but not limited to the following:

- Damages to speaker cabinet and cabinet finish due to misuse, abuse, or improper use of cleaning materials/methods.
- Bent speaker frame, broken speaker connectors, holes in speaker cone, surround & dust cap, burnt speaker voice coil.
- Fading, deterioration of speaker components & finish due to improper exposure to elements.
- Bent amplifier casing, damaged finish on the casing due to abuse, misuse, or improper use of cleaning material.
- Burnt tracers on PCB.
- Product/part damaged due to poor packaging or abusive shipping conditions.
- Subsequent damage to other products.

A warranty claim will not be valid if the warranty registration card is not properly filled & returned to Earthquake with a copy of the sales invoice.

(E) Service Request:

To receive product(s) service, contact Earthquake Sound's service department at (510) 732-1000 and request an RMA number (Return Material Authorization), item(s) shipped without a valid RMA number will be refused. Make sure you provide us with your complete and correct shipping address, a valid phone number, and a brief description of the problem you are experiencing with the product. In most cases, our technicians might be able to resolve the problem over the phone, thus eliminating the need to ship the product.

(F) Shipping Instructions:

Product(s) must be packaged in its original protective box(es) to minimize transport damage. Shipper claims regarding item(s) damaged in transit must be presented to the carrier. Earthquake Sound Corporation reserves the right to refuse improperly packed product(s). A copy of original sales receipt must accompany product(s) returned for service. We encourage you to include a written description of the problem inside the package. Ship product to:

Earthquake Sound Corp.
2727 Mc Cone Avenue
Hayward, CA 94545

You are responsible for the cost of shipping the product to Earthquake Sound Corporation.

(G) Disputes Resolution:

All disputes - between clients and Earthquake Sound Corporation - resulting from the five (5) years limited warranty policy must be resolved according to the laws & regulations of the county of Alameda, California.

Notes: _____

FOR YOUR RECORDS:

Date of Puchase: _____

Authorized Dealer/Installer Name: _____

Dealer/Installer's address: _____

Dealer/Installer's phone number: _____

Serial number:



Earthquake Sound reserves the right to amend details of the specifications without notice.
© Copyright Earthquake Sound Corporation
Earthquake Sound Corporation
2727 McCone Avenue. Hayward CA, 94545
Phone: 510-732-1000 Fax: 510-732-1095