



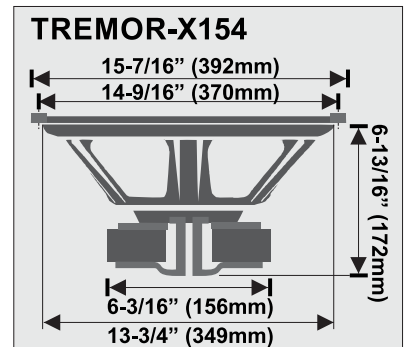
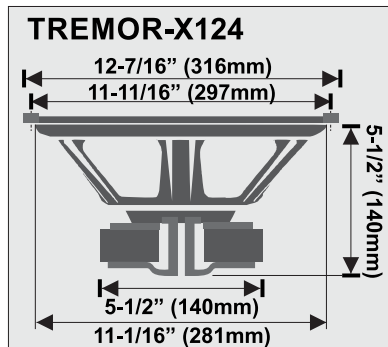
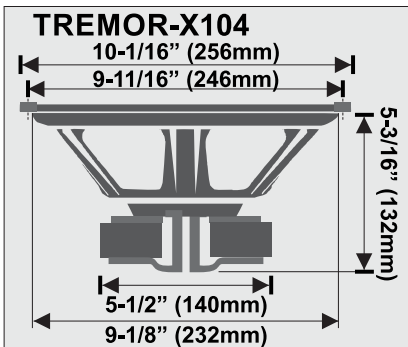
# **Tremor-X Series Subwoofer Installation & Reference Manual**



Earthquake Sound Corporation  
2727 McCone Avenue. Hayward, CA 94545. USA  
US Toll Free: 1-800-576-7944 | Tel: 510-732-1000 | Fax: 510-732-1095  
[www.earthquakesound.com](http://www.earthquakesound.com)

# TREMOR-X SERIES PRODUCT SPECIFICATIONS

DRIVER:	TREMOR-X104	TREMOR-X124	TREMOR-X154
Frequency Resonance (Fs)	33.7 Hz	31.2 Hz	28.8 Hz
Electrical "Q" (Qes)	0.642	1.034	0.890
Mechanical "Q" (Qms)	3.101	2.127	2.657
Total Speaker "Q" (Qts)	0.532	0.696	0.667
One way linear excursion	1 in. (25.4 mm)	1-1/8 in. (28.56 mm)	1-3/16 in. (30.48 mm)
Efficiency (1W/1M)	83.8 dB SPL	84.8 dB SPL	86.3 dB SPL
BL	13.231 TM	17.302 TM	15.910 TM
VAS	2.1 ft <sup>3</sup> / 59.47 L	4.1 ft <sup>3</sup> / 116.1 L	4.9 ft <sup>3</sup> / 138.75 L
Nominal Impedance	4-Ohm	4-Ohm	4-Ohm
Recommended Power	300 WRMS 1000 Watts MAX	400 WRMS 1250 Watts MAX	450 WRMS 1500 Watts MAX



**CAUTION:** Earthquake's DB subwoofers are capable of generating high sound pressure levels. You should exercise caution when operating our subwoofers and amplifiers. Long term exposures to high levels of sound pressure will cause permanent hearing damage. Sound pressure levels exceeding 85dB can be dangerous with constant exposure. Earthquake Sound Corporation does not assume liability for damages resulting from the direct use of DB or other Earthquake products, and urges users to play sound systems at moderate listening levels for every day use.

## Technical Support

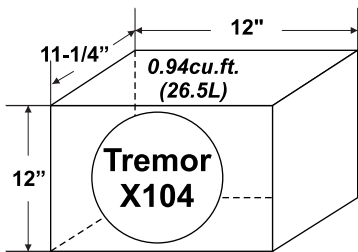
US Toll Free

1-800-576-7944

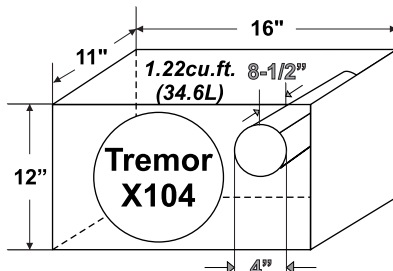
E-mail

tech@earthquakesound.com

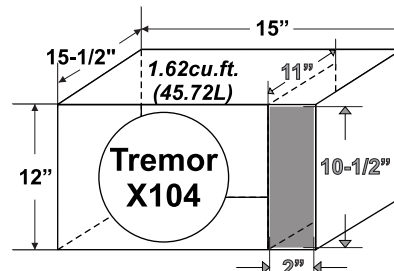
# TREMOR-X SERIES ENCLOSURE DESIGNS



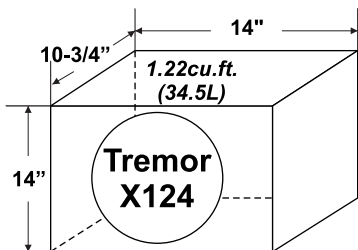
Sealed design for tight bass



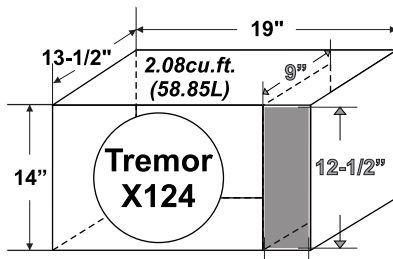
Port tuned design for deep bass



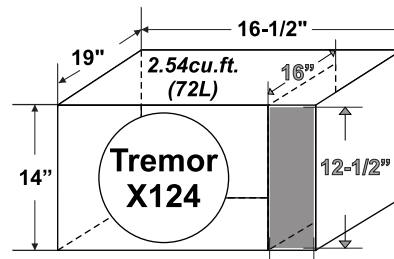
Bass head design for competition



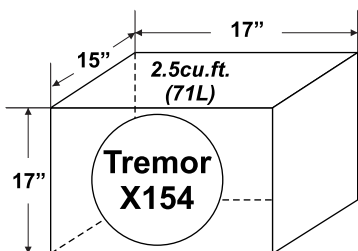
Sealed design for tight bass



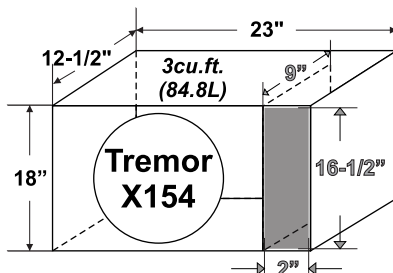
Port tuned design for deep bass



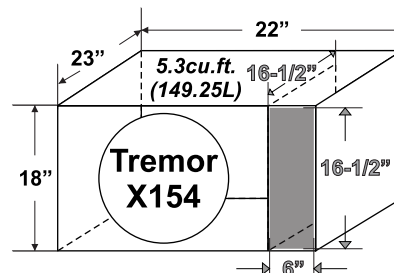
Bass head design for competition



Sealed design for tight bass



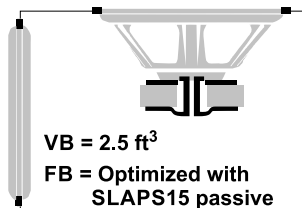
Port tuned design for deep bass



Bass head design for competition

- (!) External dimensions provided using 3/4" MDF.
- (!) Enclosures are designed to play at 44Hz and up.
- (!) Port dimensions provided are internal dimensions.

## Drone Tuned Box



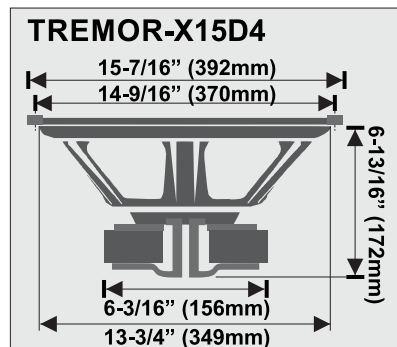
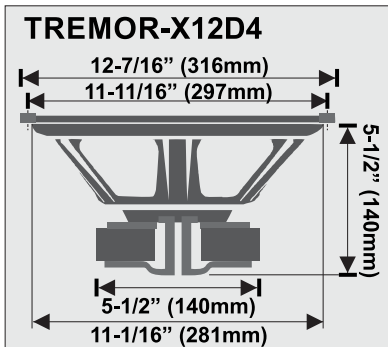
$VB = 2.5 \text{ ft}^3$

FB = Optimized with SLAPS15 passive

Passive tuned design for deep bass small volume

# TREMOR-X SERIES PRODUCT SPECIFICATIONS

DRIVER:	TREMOR-X12D4	TREMOR-X15D4
Frequency Resonance (Fs)	31.2 Hz	28.8 Hz
Electrical "Q" (Qes)	1.034	0.890
Mechanical "Q" (Qms)	2.127	2.657
Total Speaker "Q" (Qts)	0.696	0.667
One way linear excursion	1-1/8 in. (28.56 mm)	1-3/16 in. (30.48 mm)
Efficiency (1W/1M)	84.8 dB SPL	86.3 dB SPL
BL	17.302 TM	15.910 TM
VAS	4.1 ft <sup>3</sup> / 116.1 L	4.9 ft <sup>3</sup> / 138.75 L
Nominal Impedance	4-Ohm	4-Ohm
Recommended Power	400 WRMS 1250 Watts MAX	450 WRMS 1500 Watts MAX



**CAUTION:** Earthquake's DB subwoofers are capable of generating high sound pressure levels. You should exercise caution when operating our subwoofers and amplifiers. Long term exposures to high levels of sound pressure will cause permanent hearing damage. Sound pressure levels exceeding 85dB can be dangerous with constant exposure. Earthquake Sound Corporation does not assume liability for damages resulting from the direct use of DB or other Earthquake products, and urges users to play sound systems at moderate listening levels for every day use.

## Technical Support

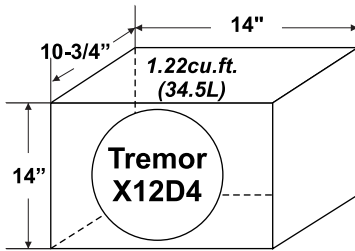
US Toll Free

1-800-576-7944

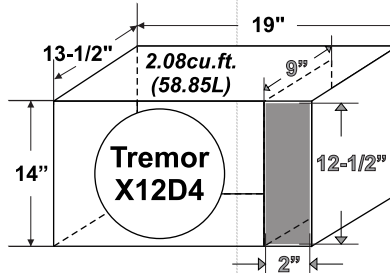
E-mail

tech@earthquakesound.com

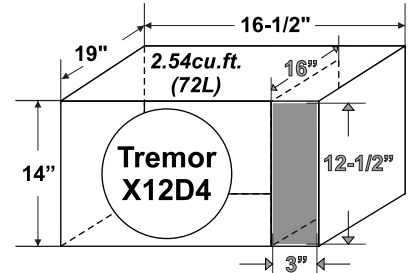
# TREMOR-X SERIES ENCLOSURE DESIGNS



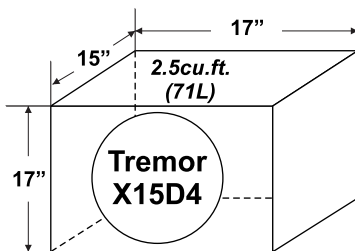
Sealed design for tight bass



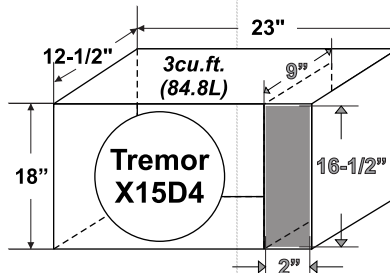
Port tuned design for deep bass



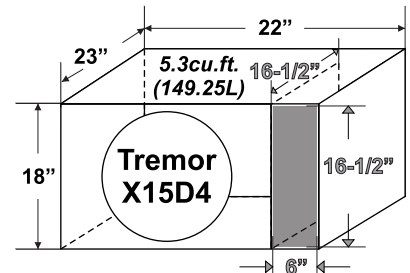
Bass head design for competition



Sealed design for tight bass



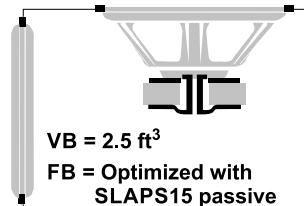
Port tuned design for deep bass



Bass head design for competition

- (!) External dimensions provided using 3/4" MDF.
- (!) Enclosures are designed to play at 44Hz and up.
- (!) Port dimensions provided are internal dimensions.

## Drone Tuned Box



Passive tuned design for deep bass small volume

## **Tremor-X Subwoofer Series Five (5) Year Limited Warranty Guidelines**

**Valid in US Mainland Only**

Earthquake warrants the original purchaser that the speaker (product) is free from defects in material and workmanship, under normal and proper use, for a period of **five (5) year from the date of purchase** (as shown on the original sales receipt with serial number affixed/written on it). The five (5) year warranty period is **valid only if the product is properly installed by an Earthquake authorized party**, and the warranty registration card is properly filled out and sent to Earthquake Sound Corporation. **If the product is installed by a non-authorized party, only a ninety (90) day limited warranty period applies.**

### **(A) Five (5) year limited warranty guidelines:**

- **First year:** Earthquake pays for labor, parts, and ground freight (**only in US mainland**) back to customer.
- **Second through Fifth year:** Earthquake pays for labor only. Customer must pay for parts and freight both ways.

### **(B) Warnings:**

- Products (sent in for repair) that are tested by Earthquake technicians and deemed to have no problem, **will not be covered by the limited warranty.** Customer will be charged a minimum of one (1) hour of labor (ongoing rates) plus shipping charges back to customer.
- Each product sent for repair **must be packaged in its original packaging.** Otherwise, **there will be repackaging charge in addition to labor, parts and shipping charges.**

### **(C) Earthquake agrees to repair or replace - at our option - all such defective products/parts subject to the following provisions:**

- Defective products/parts have not been altered or repaired by other than an Earthquake factory approved technician.
- Products/parts are not subjected to negligence, misuse, improper use, or accident, damaged by improper line voltage, used with incompatible products, or have its serial number or any part of it altered, defaced or removed, or have been used in any way that is contrary to Earthquake's written instructions.

**Tremor-X Subwoofer Series Five (5) Year Limited Warranty Guidelines**  
Valid in US Mainland Only

**(D) Warranty Limitations:**

Earthquake warranty does not cover products that have been modified or abused. Including but not limited to the following:

- Damages to speaker cabinet and cabinet finish due to misuse, abuse, or use of improper use of cleaning materials/methods.
- Bent speaker frame, broken speaker connectors, holes in speaker cone, surround & dust cap, burnt speaker voice coil.
- Fading, deterioration of speaker components & finish due to improper exposure to elements.
- Burnt tracers.
- Product/part damaged due to poor packaging or abusive shipping conditions.
- Subsequent damage to other products.

**(A warranty claim will not be valid if the warranty registration card is not properly filled & returned to Earthquake with a copy of the sales receipt.**

**E) Service Request:**

To receive product(s) service, contact Earthquake service department at (510) 732-1000 and request an RMA number (Return Material Authorization), items shipped without a valid RMA number will be refused. Make sure you provide us with your complete/correct shipping address, a valid phone number, and a brief description of the problem you are experiencing with the product. In most cases, our technicians might be able to resolve the problem over the phone, thus eliminating the need to ship the product.

**(F) Shipping Instructions:**

Product(s) must be packaged in its original protective box(es) to minimize transport damage and avoid repackaging charges. Shipper claims regarding items damaged in transit must be presented to carrier. Earthquake Sound Corporation reserves the right to refuse products that are improperly packaged. Original bill of sale must accompany product returned for service. We encourage you to include with the package a written description of the problem. Ship product to:

Earthquake Sound Corp.  
2727 Mc Cone Avenue,  
Hayward, CA 94545  
Tel: (510) 732-1000

You are responsible for the cost of shipping the product to Earthquake Sound Corporation.

**(G) Disputes Resolution:**

All disputes - between clients and Earthquake Sound Corporation - resulting from the five (5) year limited warranty policy must be resolved according to the laws & regulations of the county of Alameda -California.



**The Sound That Will *Move* You**

Earthquake Sound Corporation  
2727 McCone Avenue. Hayward, CA 94545. USA  
US Toll Free: 1-800-576-7944 | Tel: 510-732-1000 | Fax: 510-732-1095  
[www.earthquakesound.com](http://www.earthquakesound.com)