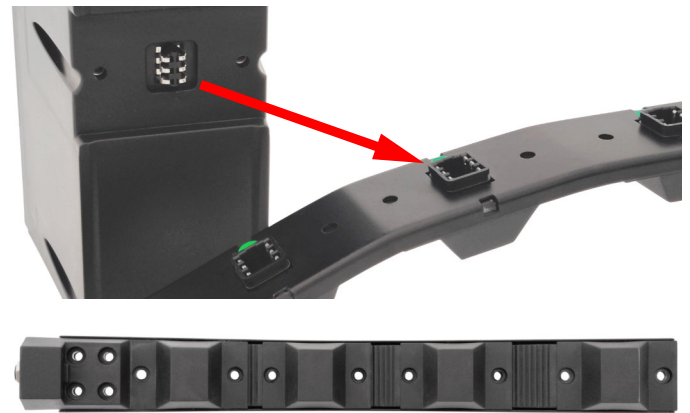


LINE ARRAY SPEAKER SYSTEM

Earthquake's DJ-Quake series was known as a revolutionary portable line array system with performance that matched perfectly for bars, restaurants, DJ's, houses of worship, and most other medium sized venues. The DJ-Array Gen2 further builds off of the well-known success of the DJ-Quake series now with the internal wiring built right into the mounting bracket. It features user-friendly male and female contact terminals that will make setup and breakdown super easy for any skill level. The DJ-Array Gen2 packs serious punch that is capable

of dispersing optimized sound over long distances thanks to its advanced array design that produces a clear punchy sound all the way to the back of the room. Designed to be foolproof with no compromise in performance, the DJ-Array Gen2 is an excellent solution for virtually any situation where high-quality sound reinforcement is needed. Whether used in a portable on-the-go system or permanent audio fixture, average enthusiasts to the everyday audio professional will love the versatility of the Earthquake DJ-Array Gen2.



HIGH QUALITY SOUND WITH LESS SETUP

INTERNAL WIRING

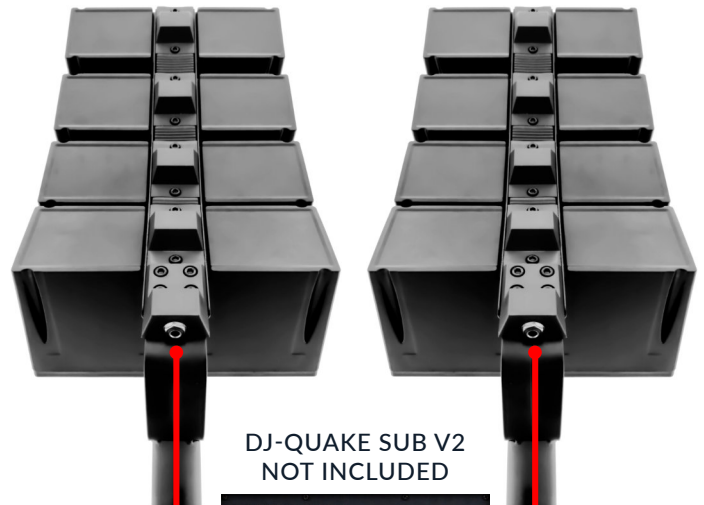
With the internal wiring built into the mounting bracket, there is no fumbling around with wires during setup and breakdown. Simply attach four array modules to the mounting bracket and connect a single 1/4" TRS cable.

QUICK CONTACT TERMINALS

A male to female contact terminal system allows the user to quickly and effortlessly setup both line arrays without running a bunch of wires in the process. Mounting hardware is included.

QUALITY COMPONENTS

The DJ-Array Gen2 is equipped out of the box with a combination of 4 x 4" mid-ranges and 4 x 1" horn loaded compression drivers. Each array module is also ported for extended mid-bass response. This line array system pairs well the Earthquake's Dj-Quake Sub V2 and 2B-ST35M speaker stands.



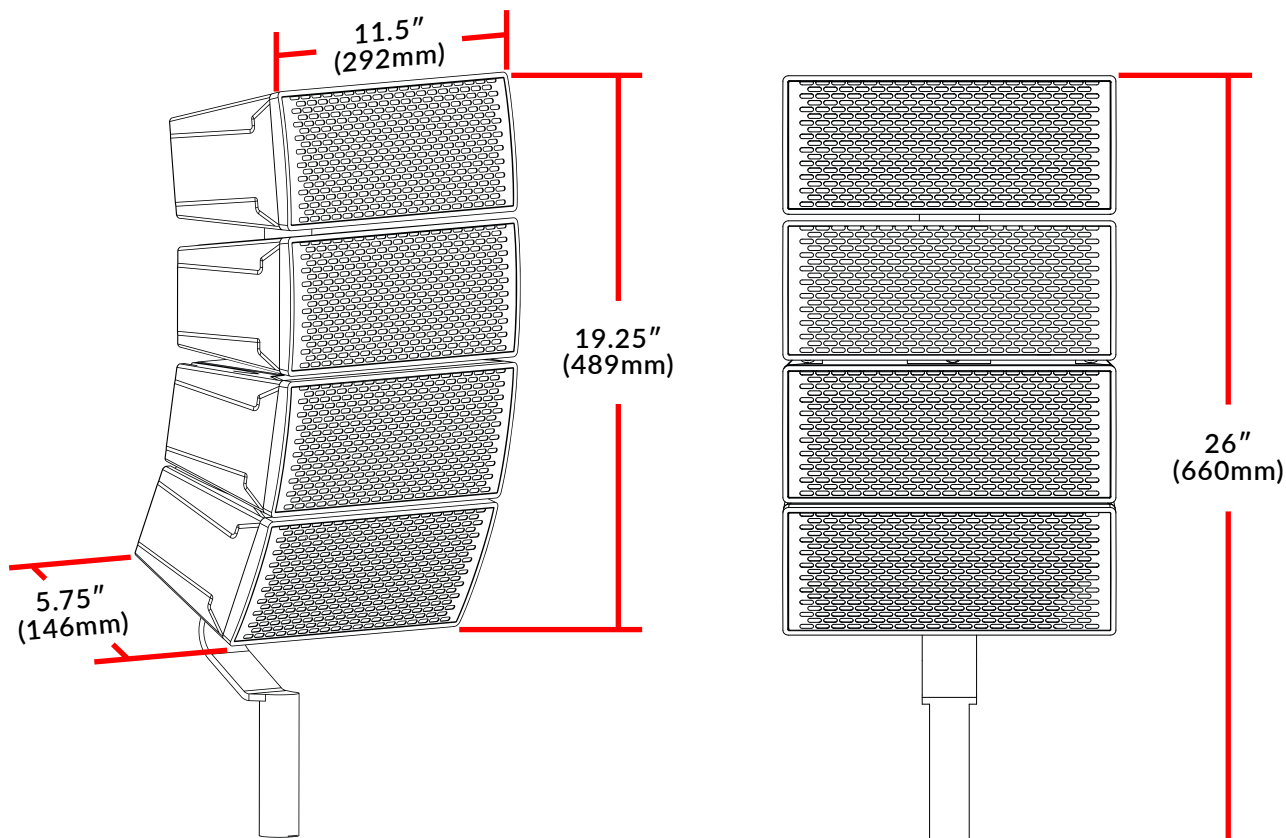
DJ-QUAKE SUB V2
NOT INCLUDED



CONVENIENT 1/4" TRS INPUT CONNECTORS
INTEGRATED INTO MOUNTING BRACKETS

SPECIFICATIONS

MODEL	DJ-ARRAY GEN2
Array Components	4" Mid-Range 1" Compression Driver
Power Handling	50 WRMS 100 MAX
High Pass Filter	12dB/oct @ 120Hz-20kHz
Sensitivity	98dB (1w/1m)
Impedance	4 Ohm
Input Connectors	1/4" TRS
Net Weight (1 Array)	20 lbs (18.2 kgs)



MSRP: \$600.00/PAIR

Earthquake Sound Corporation

2727 McCone Avenue, Hayward, CA 94545 • www.earthquakesound.com • 510-732-1000

©2021 Earthquake Sound Corporation

All copyrighted, trademarked, and patented elements mentioned herein are the sole property of Earthquake Sound Corporation.