

2x4 STUD MOUNTING SUBWOOFERS

Earthquake's newly released SUB6 and SUB8 passive subwoofers powered by the SWS patented design deliver impressive bass from a shallow space. In fact, these subwoofers deliver twice the excursion of any other conventional speaker with the same mounting depth. Impressive bass performance can now be invisible allowing the home integrator or installer to use these subs in 2x4 walls or ceilings with round or square

edgeless and paintable grilles (both included). The SUB6 and SUB8 are also equipped with a 100% copper wire crossover network to filter out voices and instruments leaving you with pure bass. Constructed from long-lasting and high-quality components, the SUB6 and SUB8 are a great choice to quickly and efficiently add more bass to any room whether it is for new constructions or existing home theaters.



DEEP BASS FROM SHALLOW SPACE

SHALLOW WOOFER SYSTEM

Earthquake Sound is the original inventor of the shallow woofer system (SWS) that produces an amazing amount of bass from a small space.

EDGELESS DESIGN

The edgeless and paintable design with magnetically attached grilles of the SUB6 and SUB8 offer a high-end visual aesthetic that allows them to vanish into the room.

LOWPASS CROSSOVER FILTER

The SUB6 and SUB8 are outfitted with an iron core 100% copper wire lowpass crossover network to filter out voices and instruments leaving you with pure bass.

INVERTED CONE DESIGN

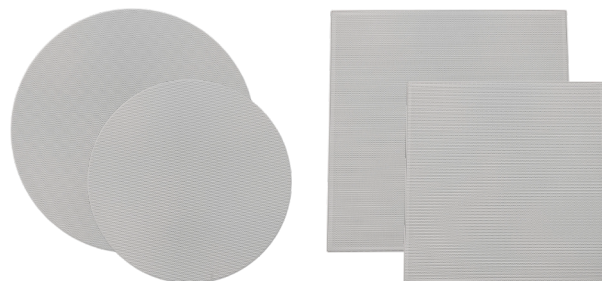
Equipped with an inverted cone design, these subwoofers produce the maximum amount of excursion in shallow mounting applications. Great sounding bass no longer has to take up your entire living space.

WIDE SURROUNDS

A durable and long-lasting wide surround allows these subwoofers to produce a deeper and more accurate bass with maximum excursion than any other shallow subwoofer.

TURN-N-LOCK

The Turn-N-Lock mounting mechanism gives the user a fast, safe, easy, secure installation. Simply position the subwoofer in place and tighten the screws evenly to secure the subwoofer to the wall.



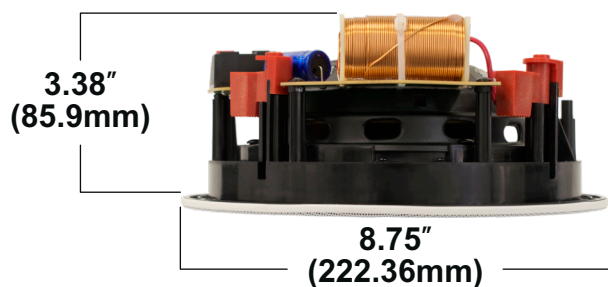
ROUND AND SQUARE GRILLES INCLUDED

THIS SPEAKER SYSTEM IS PROTECTED BY THE FOLLOWING US PATENTS:

U.S. PATENT #6,675,931 | U.S. PATENT #6,044,925 | U.S. PATENT #6,460,651 | U.S. PATENT #6,626,263
U.S. PATENT #6,863,152 | U.S. PATENT #7,185,735 | U.S. PATENT #7,225,895

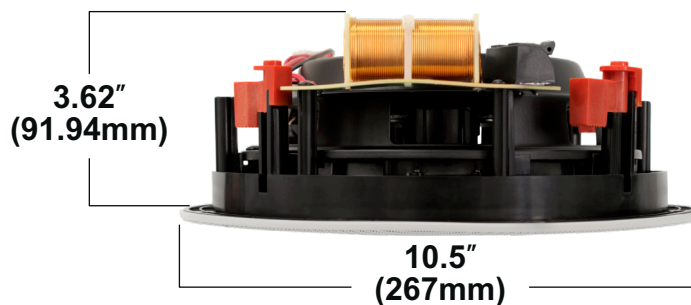
SPECIFICATIONS

MODEL	SUB6	SUB8
Woofer Size	6.5" (165mm)	8" (203mm)
Frequency Response	30Hz-1kHz	30Hz-500Hz
Crossover Frequency	100Hz LP 12dB/Oct	100Hz LP 6dB/Oct
Power Handling	150 Watts MAX	300 Watts MAX
Impedance	8-Ohm	8-Ohm
Sensitivity	86.7dB	86.7dB
Voice Coil Diameter	1" (25mm)	1.5" (38.1mm)
Net Weight	2.46 lbs (1.12kgs)	5.16 lbs (2.34kgs)
Frame Diameter	8.75" (222.36mm)	10.5" (267mm)
Cut Out Diameter	7.75" (196.64mm)	9.5" (240mm)
Grille Diameter	Round 8.71" (221.34mm) Square 7.87" (178mm)	Round 10.62" (270mm) Square 10.75" (274mm)
Mounting Depth	3.38" (85.9mm)	3.62" (91.94mm)
Grille Finish	White/Paintable	White/Paintable
Wire Terminals	Push Type Spring Loaded	Push Type Spring Loaded
Rough-in Kit Compatibility	RK-EC6	RK-EC8



SUB6

MSRP: \$199.00/PIECE



SUB8

MSRP: \$225.00/PIECE