



ECS S82

**Edgeless High Performance
8" Angled In-Ceiling Speaker**



Installation Manual

www.earthquakesound.com

Thank you for purchasing the ECS-SS82, Edgeless 8" SweetSpot In-Ceiling Speaker; one of Earthquake Sound's most valued in-ceiling speaker lines. Designed with aesthetics and sound quality in mind, the ECS-SS82 seamlessly blends into its surrounding as it provides a lifetime of durability and high-end performance.

It is very important to read and follow all installation/mounting instructions and recommendations in this manual thoroughly to ensure optimal performance and longevity.

The ECS-SS82 Features

- » Frameless design for reduced visibility/low profile/seamless blend
- » Up to 20° angled Sweet Spot
- » Echo control R435 sound absorbing material
- » \pm 3dB bass and treble controls
- » 1" (25mm) silk dome NEO swiveling tweeters
- » Elaborate crossover networks
- » Easy Turn-N-Lock™ installation mechanism
- » Gold plated, spring loaded terminals
- » Magnetically attached, paintable grilles

Grille Painting Guidelines

The ECS-SS82 Edgeless 8" SweetSpot In-Ceiling Speaker grilles are paintable and can accept virtually any type of paint. We strongly recommend the following:

1. Remove the grilles from the speakers prior to painting them.
2. Thin the paint prior to application, if needed. Spray and roller paint applications typically provide the best results. Note that you may need to apply **multiple thin layers** of paint to achieve the desired shade without losing sound quality due to clogging of the grilles.
3. Let the painted grilles fully dry before mounting them back on the speakers.

Speaker Placement

The ECS-SS82 Edgeless 8" SweetSpot In-Ceiling Speakers are designed to be flush mounted in walls or ceilings. For optimal acoustical performance, simply follow these guidelines:

1. Place speakers at an equal distance (left/right) from listener.
2. Speakers must be spaced at a 40 - 60° angle from listener, as illustrated in Figure 1.
3. Aim tweeter towards the listener's ear when in listening position, as illustrated in Figure 2.

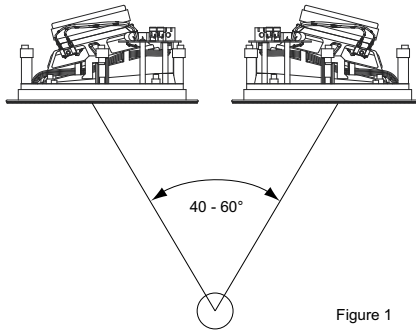


Figure 1

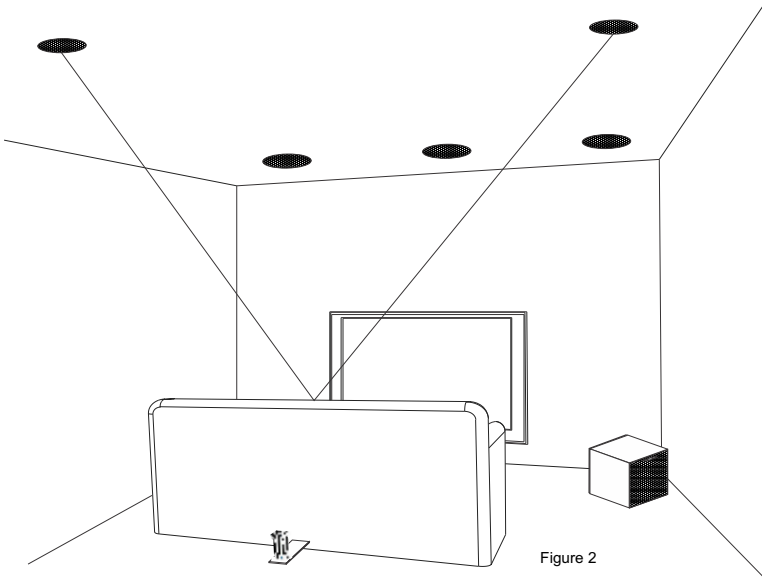


Figure 2



1 Cut the hole:
using the provided
cut out template



2 Wire the speaker:
using the non-obtrusive
spring-loaded speaker
terminals



3 Mount the speaker:
by utilizing the
Turn-N-Lock™
installation mechanisms

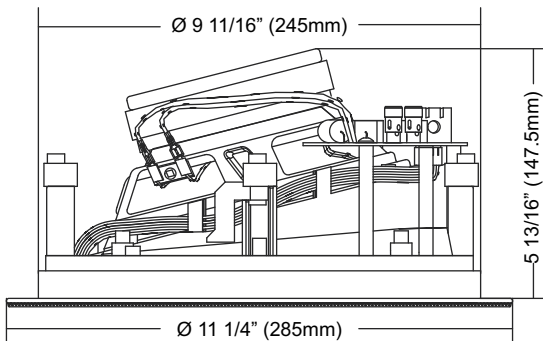


Simply tighten the screws by hand **using a screwdriver** to prevent the mounting ears from snapping. Some resistance may occur the first few turns of the screw as it makes its path through the plastic.

Specifications

ECS-SS82 SPECIFICATIONS

Frequency Response:	30Hz - 30kHz
Sensitivity:	91dB @ 1W/1M
Nominal Impedance:	8-Ohm
Power Handling:	30 - 300 Watts
Enclosure Material / Type:	Impact resist ABS Plastic
Driver Components:	One 8" wide surround woofer with polypropylene cone and one 1" (25mm) silk dome swiveling compression tweeter
Outer Diameter (with grille):	11 1/4" (285mm)
Cut Out Diameter:	9 11/16" (245mm)
Mounting Depth:	5 13/16" (147.5mm)
Grille Protrusion:	7/32" (5.5mm)
Wire Gauge Recommended:	12
Weight (grille included):	7.64 lbs (3.46 kgs)
Grille Finish:	White / Paintable



Warranty Guidelines

Earthquake warrants the original purchaser that all Factory Sealed New Audio Products to be free from defects in material and workmanship under normal and proper use for a period of five (5) years from the date of purchase (as shown on the original sales receipt with serial number affixed/written on it).

The five (5) year limited warranty period is valid only if an authorized Earthquake dealer properly installs the product and the warranty registration card is properly filled out and sent to Earthquake Sound Corporation. If a non-authorized party installs the product, a ninety (90) day warranty period will be applied.

(A) Five (5) years limited warranty plan coverage guidelines:

- **First year:** Earthquake pays for labor, parts, and ground freight (only in US mainland, not including Alaska and Hawaii. Shipping to us is not covered).
- **Second, third, fourth & fifth year:** Earthquake pays labor only. Customer must pay for parts and freight both ways.

(B) Warning:

- Products (sent in for repair) that are tested by Earthquake technicians and deemed to have no problem will not be covered by the limited warranty. Customer will be charged a minimum of one (1) hour of labor (at ongoing rate) plus shipping charges back to customer.
- Each product sent in for repair must be packaged in its original packaging. Otherwise, **repackaging charges will apply in addition to the labor, parts and shipping charges.**

(C) Earthquake will repair or replace at our option all defective products/parts subject to the following provisions:

- Defective products/parts have not been altered or repaired by anyone other than an Earthquake factory approved technician.
- Products/parts are not subjected to negligence, misuse, accident or damage by improper line voltage.
- Products/parts were used with incompatible products.
- The serial number or any part of the product has been altered, defaced or removed.
- Products/parts have been used in any way that is contrary to Earthquake's written instructions.

D) Warranty Limitations:

Warranty does not cover products that have been modified or abused, including but not limited to the following:

- Damages to speaker frame and frame finish due to misuse, abuse or improper use of cleaning materials/methods.
- Bent speaker frame, broken speaker connectors, hole(s) in speaker cone, hole(s) in surround &/ dust cap, and burnt speaker voice coil.
- Fading and/or deterioration of speaker components & finish due to improper exposure to elements.
- Burnt tracers on PCB.
- Product/part damaged due to poor packaging or abusive shipping conditions.
- Subsequent damage to other products.

Warranty Guidelines

A warranty claim will not be valid if the warranty registration card is not properly filled & returned to Earthquake with a copy of the sales receipt.

(E) Service Request:

To receive product service, contact Earthquake Service Department at (510) 732-1000 and request an RMA number (Return Material Authorization). Items shipped without a valid RMA number will be refused. Make sure you provide us with your complete/correct shipping address, a valid phone number, and a brief description of the problem you are experiencing with the product. In most cases, our technicians might be able to resolve the problem over the phone, thus eliminating the need to ship the product.

(F) Shipping Instructions:

Product(s) must be packaged in its original protective box(es) to minimize transport damage and prevent repackaging cost (at the ongoing rates). Shipper claims regarding items damaged in transit must be presented to carrier. Earthquake Sound Corporation reserves the right to refuse improperly packed product. A copy of the original sales receipt must accompany product returned to service. We encourage you to include with the package a written description of the problem. Ship product to:

Earthquake Sound Corp.
2727 McCone Avenue, Hayward, CA 94545
Tel: (510) 732-1000

You are responsible for the cost of shipping the product to Earthquake Sound Corporation.

(G) Disputes Resolution:

All disputes between clients and Earthquake Sound Corporation resulting from the five (5) year limited warranty policy must be resolved according to the laws & registration of the county of Alameda, California.

Technical Support

US Toll Free: 1-800-576-7944

E-mail: tech@earthquakesound.com



WARNING: These products are capable of generating high sound pressure levels. You should exercise caution when operating these speakers. Long term exposures to high levels of sound pressure will cause permanent damage to your hearing. Sound pressure levels exceeding 85dB can be dangerous with constant exposure, set your audio system to a comfortable loudness level. Earthquake Sound Corporation does not assume liability for damages resulting from the direct use of Earthquake speakers, and urges users to play volume at moderate levels.



Earthquake Sound reserves the right to amend details of the specifications without notice.
Copyright © Earthquake Sound Corporation
Earthquake Sound Corporation • 2727 McCone Avenue Hayward CA, 94545
Phone: 510-732-1000 Fax: 510-732-1095