

EQ NEO SERIES

EQ650 | EQ800 | EQ1000

Power and reliability for the most demanding situations; the new Earthquake Sound EQ NEO series of maximum musical output drivers are specifically designed to provide a smooth and low distortion midrange/midbass output for the highest quality sound reinforcement applications. Because of their relatively high resonance and very low Qts values, the EQ NEO series can be mounted in small enclosures while maintaining a smooth, peak-free response. As the name suggests, this series features a smaller yet powerful neodymium motor that increases efficiency and decreases their overall weight.



NEODYMIUM MOTOR

The EQ NEO series comes equipped with a much smaller yet stronger multi-vented neodymium motor structure. Paired with a lightweight aluminum basket, EQ NEO midrange drivers have a much lighter overall weight compared to traditional cloth loudspeakers making them an excellent choice for mobile, home, and pro sound applications.



EQ650 NEO



EQ800 NEO



EQ1000 NEO

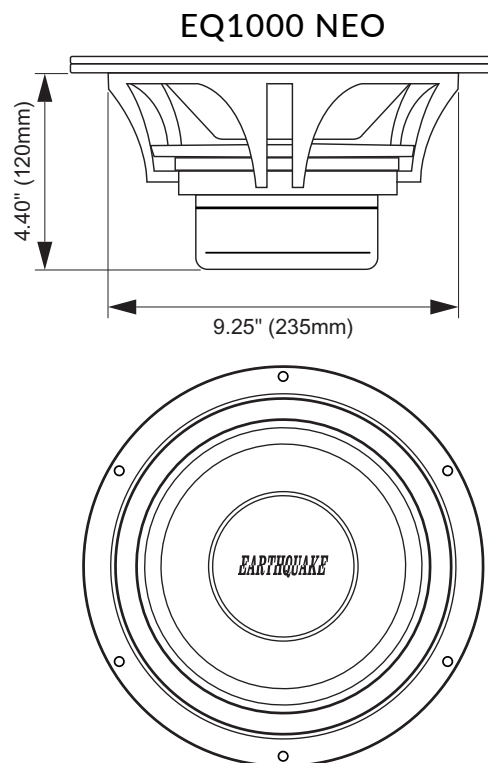
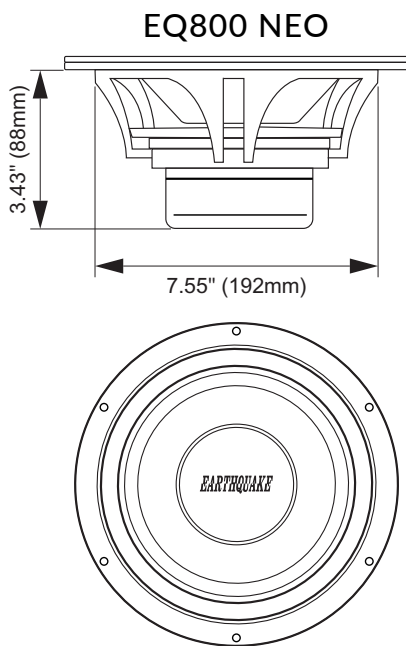
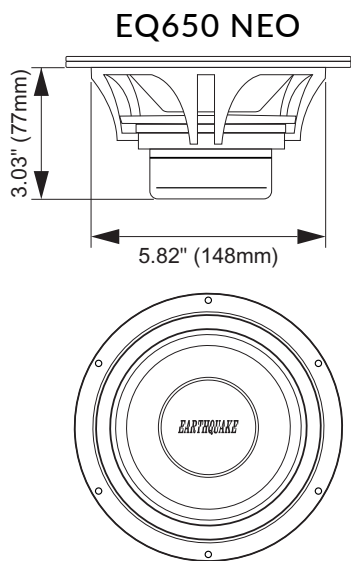


FEATURES

- Available in 6.5, 8, and 10 inch sizes
- Maximum musical output and efficiency at high levels
- Powerful multi-vented neodymium motor
- Copper voice coil construction
- Long lasting non-pressed paper cone for reduced break-up
- Multi-roll cloth surround
- Black die cast aluminum basket
- Spring-loaded wire terminals
- Produces natural tones at high levels with low distortion

SPECIFICATIONS

MODEL	EQ650 NEO	EQ800 NEO	EQ1000 NEO
Speaker Size	6.5" (165mm)	8" (203mm)	10" (254mm)
Power Handling RMS	200 Watts	300 Watts	350 Watts
Power Handling MAX	400 Watts	600 Watts	700 Watts
Frequency Response	95Hz-8kHz	87Hz-6kHz	69Hz-6kHz
Nominal Impedance	8 Ohm	8 Ohm	8 Ohm
Sensitivity	95dB 2V/1M	97dB 2V/1M	97dB 2V/1M
Resonance	95Hz	87Hz	70Hz
Voice Coil Diameter	2" (50.5mm)	2.5" (63mm)	2.5" (63mm)
Overall Dimensions W x D	6.85" x 3.30" 174mm x 84mm	8.26" x 3.75" 210mm x 95mm	10.23" x 4.72" 260mm x 120mm



MSRP:

EQ650 NEO
\$159.00

EQ800 NEO
\$199.00

EQ1000 NEO
\$239.00

Earthquake Sound Corporation

© Copyright Earthquake Sound Corporation
www.earthquakesound.com | www.earthquakesoundshop.com
 Address: 2727 McCone Avenue, Hayward, CA 94545
 Phone: 510-732-1000